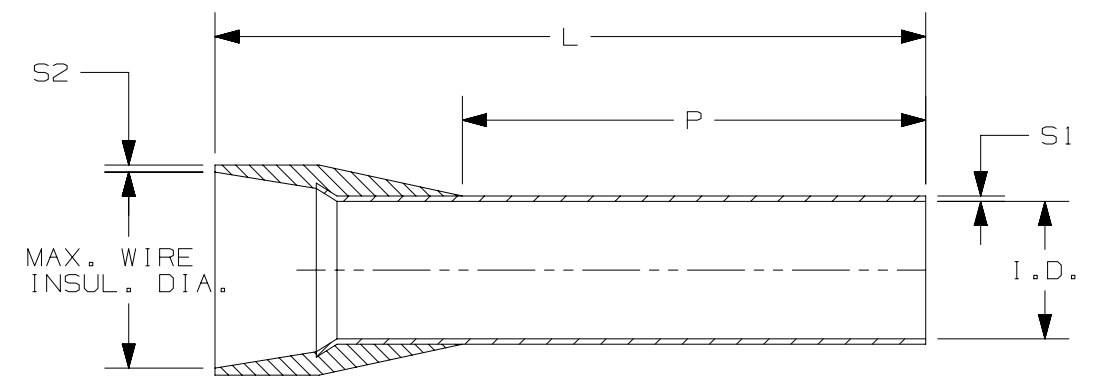


PANDUIT PART #	WIRE RANGE		COLOR (DIN)	WIRE STRIP LENGTH +1/32 -0 [+0,8 -0]	MAX. WIRE INSUL. DIA.	WIRE CLASS	DIMENSIONS in. [mm]					AUTOMATIC OR PNEUMATIC TOOLS	ADDITIONAL INSTALLATION TOOLS/DIES		
	AWG	[mm ²]					L	P	ID	S1	S2				
FSD72-6	26	[0,14]	GRAY	3/8 [9,5]	0.07 [1,9]	B, C, G, H, I, K, M	0.41 [10,5]	0.24 [6,0]	0.03 [0,8]	[0,15]	[0,25]	---	CT-1002 CT-1123 CT-1200 CT-1201 ^^**CD-090 #CT-2523CH		
FSD72-8				15/32 [11,9]	0.07 [1,9]		0.49 [12,5]	0.31 [8,0]	0.03 [0,8]	[0,15]	[0,25]				
FSD73-6	24	[0,25]	YELLOW	3/8 [9,5]	0.07 [1,9]	B, C, G, H, I, K, M	0.41 [10,5]	0.24 [6,0]	0.03 [0,8]	[0,15]	[0,25]				
FSD73-8				15/32 [11,9]	0.07 [1,9]		0.49 [12,5]	0.31 [8,0]	0.03 [0,8]	[0,15]	[0,25]				
* FSD74-6	24-22	[0,34]	TURQUOISE	3/8 [9,5]	0.07 [1,9]	B, C, G, H, I, K, M	0.41 [10,5]	0.24 [6,0]	0.03 [0,8]	[0,15]	[0,25]				
* FSD74-8				15/32 [11,9]	0.07 [1,9]		0.49 [12,5]	0.31 [8,0]	0.03 [0,8]	[0,15]	[0,25]				
+ FSD75-6	22-20	[0,50]	WHITE	3/8 [9,5]	0.09 [2,4]	B, C, G, H, I, K, M	0.47 [12,0]	0.24 [6,0]	0.04 [1,1]	[0,15]	[0,25]			CP-991 CTFP-25 CTFP-40	CT-1002 CT-1003 CT-1090 ^^CD-090 CT-1123 CT-1160 CT-1170 CT-1200 CT-1201 #CT-2523CH ^^^CD-091
+ FSD75-8				15/32 [11,9]	0.09 [2,4]		0.55 [14,0]	0.31 [8,0]	0.04 [1,1]	[0,15]	[0,25]				
+ FSD75-10				17/32 [13,5]	0.09 [2,4]		0.63 [16,0]	0.39 [10,0]	0.04 [1,1]	[0,15]	[0,25]				
FSD76-6	18	[0,75]	GRAY	3/8 [9,5]	0.11 [2,7]	B, C, G, H, I, K, M	0.47 [12,0]	0.24 [6,0]	0.05 [1,3]	[0,15]	[0,25]				
FSD76-8				15/32 [11,9]	0.11 [2,7]		0.55 [14,0]	0.31 [8,0]	0.05 [1,3]	[0,15]	[0,25]				
FSD76-10				17/32 [13,5]	0.11 [2,7]		0.63 [16,0]	0.39 [10,0]	0.05 [1,3]	[0,15]	[0,25]				
FSD76-12				5/8 [15,9]	0.11 [2,7]		0.71 [18,0]	0.47 [12,0]	0.05 [1,3]	[0,15]	[0,25]				
FSD77-6	18	[1,00]	RED	3/8 [9,5]	0.11 [2,9]	B, C, G, H, I, K, M	0.49 [12,5]	0.24 [6,0]	0.06 [1,45]	[0,15]	[0,30]				
FSD77-8				15/32 [11,9]	0.11 [2,9]		0.57 [14,5]	0.31 [8,0]	0.06 [1,45]	[0,15]	[0,30]				
FSD77-10				17/32 [13,5]	0.11 [2,9]		0.65 [16,5]	0.39 [10,0]	0.06 [1,45]	[0,15]	[0,30]				
FSD77-12				5/8 [15,9]	0.11 [2,9]		0.73 [18,5]	0.47 [12,0]	0.06 [1,45]	[0,15]	[0,30]				
FSD78-6	16	[1,50]	BLACK	3/8 [9,5]	0.13 [3,3]	B, C, G, H, I, K, M	0.49 [12,5]	0.24 [6,0]	0.07 [1,73]	[0,15]	[0,30]				
FSD78-8				15/32 [11,9]	0.13 [3,3]		0.57 [14,5]	0.31 [8,0]	0.07 [1,73]	[0,15]	[0,30]				
FSD78-10				17/32 [13,5]	0.13 [3,3]		0.65 [16,5]	0.39 [10,0]	0.07 [1,73]	[0,15]	[0,30]				
FSD78-12				5/8 [15,9]	0.13 [3,3]		0.73 [18,5]	0.47 [12,0]	0.07 [1,73]	[0,15]	[0,30]				
FSD78-18				7/8 [22,2]	0.13 [3,3]		0.96 [24,5]	0.71 [18,0]	0.07 [1,73]	[0,15]	[0,30]				

TABLE DETAILS:

- * TURQUOISE IS DIN COLOR FOR 22 AWG [0,34]
- ⊙ TOOL/PART COMBINATION IS ONLY LISTED WITH CLASS G WIRE
- + UL LISTED WITH 22 - 20 AWG WHEN CRIMPED WITH CT-1200 OR CT-1201 TOOL
UL LISTED FOR SIZES 26 AWG TO 300 KCMIL
- ++TOOL/PART NOT A UL LISTED COMBINATION
- ^ TOOL/PART NOT A UL LISTED COMBINATION WITH CLASS I WIRE
- ^^DIES USED WITH CT-2300 TOOL AND UP14ZLW PRESS
- ^^^DIES USED WITH CT-2300 TOOL ONLY
- ** DIES USED WITH CT-3001 OR CT-3001/E TOOL
- # CRIMP HEAD USED WITH CT-2500 TOOL
- CP-991 AND CP-992 ARE AUTOMATIC STRIP AND CRIMP PRESSES FOR LOOSE PIECE FERRULES
- CTFP SERIES ARE PNEUMATIC CRIMP TOOLS



NOTES:

1. USED FOR:
 - A. 221°F [105°C] MAX. OPERATING TEMPERATURE
2. MATERIAL:
 - A. STAMPING: COPPER, TIN PLATED
 - B. HOUSING: POLYPROPYLENE, COLOR CODED
 - C. COLOR CODE CONFORMS TO DIN STANDARD
3. SEE www.panduit.com FOR PACKAGE QUANTITIES
4. DIMENSIONS IN BRACKETS ARE METRIC EQUIVALENT
5. FOR TOLERANCING REFER TO DIN 46228 PART 4



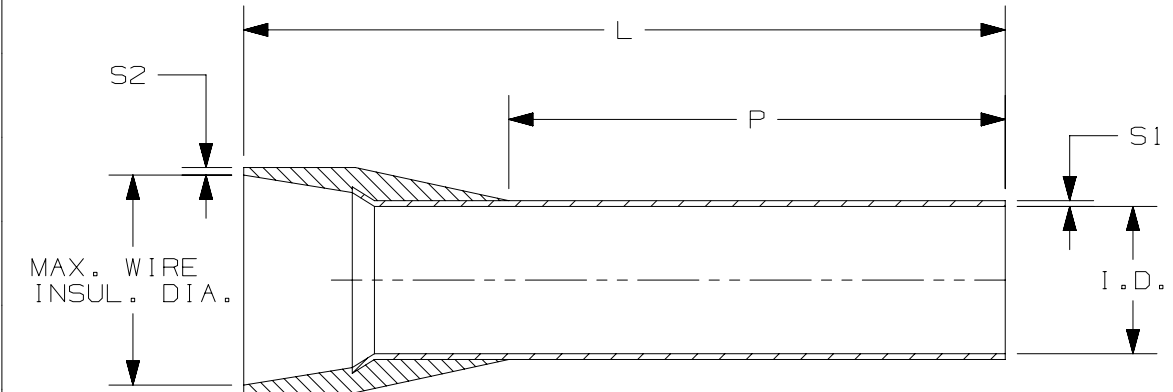
REV	DATE	BY	CHK	APR	DESCRIPTION	ECN
30A	03-11-26	ANVM	JSUN	JSUN	ADDED CD-091, CD-092 AND CD-93 TO ADDITIONAL INSTALLATION TOOLS/DIES COLUMN. ADDED TABLE DETAIL: ^^DIES USED WITH CT-2300 TOOL ONLY ELIMINATED TOOL CT-1200E ELIMINATED NOTE 1. A. " UL LISTED WITH STRANDED COPPER WIRE 20 - 1/0 AWG ONLY" REFER TO UL CERTIFIED STD.	128785/08
29B	08-01-25	JBN	NMOL	DEC	CORRECTED FSD79-8 MAX WIRE INSUL DIA TO 0.14 WAS 0.18	128785/07
29A	06-10-25	JBN JHNU	NMOL	JSUN DEC	REVISED NOTE LINE 2 TABLE DETAILS SECTION TO: + UL LISTED FOR SIZES 26 AWG TO 300 KCMIL WAS: + UL LISTED WITH 20 AWG ONLY OTHERWISE: WHITE IS DIN COLOR FOR 20 AWG [0,5] REVISED DIMENSIONS IN TABLE: MAX WIRE INSUL. DIA ACCORDING TO DIN 46 228 STANDARD REVISED FSD77 WIRE RANGE: 18 AWG WAS "-"	128785/06

PART NUMBER		SEE TABLE	
TITLE			
FERRULES - SINGLE WIRE WITH SLEEVE (DIN)			
CUSTOMER DRAWING			
ITEM REVISION NAME		N41667BA/30	
DATASET FILE NAME		N41667BA_DC/30A	
MATERIAL		SEE NOTES	
DRAWN BY		DATE	
JKD		02-09-99	
CHK		SKB	
SCALE		NONE	
DRAWING NUMBER		A41667	
SHEET 1 OF 3		B	

PANDUIT PART #	WIRE RANGE		COLOR (DIN)	WIRE STRIP LENGTH +1/32 -0 [+0,8 -0]	MAX. WIRE INSUL. DIA.	WIRE CLASS	DIMENSIONS in. [mm]					AUTOMATIC OR PNEUMATIC TOOLS	ADDITIONAL INSTALLATION TOOLS/DIES
	AWG	[mm ²]					L	P	ID	S1	S2		
FSD79-8	14	[2,08]	YELLOW	15/32 [11,9]	0.14 [3,5]	G, H, I, K, M	0.57 [14,5]	0.31 [8,0]	0.08 [2,05]	[0,15]	[0,30]	CP-991 CTFP-25 CTFP-40	CT-1002 CT-1003 CT-1090 ^^CD-090 CT-1123 CT-1160 CT-1170 CT-1200 CT-1201 #CT-2523CH ^^^CD-091
FSD80-8	14	[2,50]	BLUE	15/32 [11,9]	0.16 [4,1]	G, H, I, K, M	0.59 [15,0]	0.31 [8,0]	0.09 [2,3]	[0,15]	[0,30]		
FSD80-10				17/32 [13,4]	0.16 [4,1]		0.67 [17,0]	0.39 [10,0]	0.09 [2,3]	[0,15]	[0,30]		
FSD80-12				5/8 [15,9]	0.16 [4,1]		0.75 [19,0]	0.47 [12,0]	0.09 [2,3]	[0,15]	[0,30]		
FSD80-18				7/8 [22,2]	0.16 [4,1]		0.98 [25,0]	0.71 [18,0]	0.09 [2,3]	[0,15]	[0,30]		
FSD81-10	12	[4,00]	GRAY	17/32 [13,5]	0.19 [4,7]	G, H, I, K, M	0.69 [17,5]	0.39 [10,0]	0.11 [2,9]	[0,20]	[0,30]	CP-991 CP-992 CTFP-40 CTFP-100	#CT-2523CH ^^^CD-091
FSD81-12				5/8 [15,9]	0.19 [4,7]		0.77 [19,5]	0.47 [12,0]	0.11 [2,9]	[0,20]	[0,30]		
FSD81-18				7/8 [22,2]	0.19 [4,7]		1.00 [25,5]	0.71 [18,0]	0.11 [2,9]	[0,20]	[0,30]		
FSD82-12	10	[6,00]	YELLOW	5/8 [15,9]	0.24 [6,1]	G, H, I, K, M	0.79 [20,0]	0.47 [12,0]	0.14 [3,6]	[0,20]	[0,30]	CP-992 CTFP-100	CT-1002 ++CT-1003 CT-1090 ^^CD-090 CT-1123 CT-1160 CT-1170 CT-1200 CT-1201 #CT-2523CH ^^^CD-091
FSD82-18				7/8 [22,2]	0.24 [6,1]		1.02 [26,0]	0.71 [18,0]	0.14 [3,6]	[0,20]	[0,30]		
FSD83-12	8	[10,0]	RED	5/8 [15,9]	0.29 [7,4]	G, H, I, K, M	0.83 [21,0]	0.47 [12,0]	0.18 [4,6]	[0,20]	[0,30]	CTFP-100	++CT-1003 ++CT-1004 ^CT-1090 ^^CD-090 CT-1104 CT-1123 CT-1160 CT-1170 @CT-1200 CT-1201 #CT-2504CH #CT-2523CH ^^^CD-092
FSD83-18				7/8 [22,2]	0.29 [7,4]		1.06 [27,0]	0.71 [18,0]	0.18 [4,6]	[0,20]	[0,30]		
FSD84-12	6	[16,0]	BLUE	5/8 [15,9]	0.34 [8,6]	G, H, I, K, M	0.91 [23,0]	0.47 [12,0]	0.24 [6,0]	[0,20]	[0,40]	---	++CT-1004 CT-1104 CT-1201 #CT-2504CH ^^^CD-092
FSD84-18				7/8 [22,2]	0.34 [8,6]		1.14 [29,0]	0.71 [18,0]	0.24 [6,0]	[0,20]	[0,40]		

TABLE DETAILS:

- * TURQUOISE IS DIN COLOR FOR 22 AWG [0,34]
- @ TOOL/PART COMBINATION IS ONLY LISTED WITH CLASS G WIRE
- + UL LISTED WITH 22 - 20 AWG WHEN CRIMPED WITH CT-1200 OR CT-1201 TOOL.
UL LISTED FOR SIZES 26 AWG TO 300 KCMIL
- ++TOOL/PART NOT A UL LISTED COMBINATION
- ^ TOOL/PART NOT A UL LISTED COMBINATION WITH CLASS I WIRE
- ^^DIES USED WITH CT-2300 TOOL AND UP14ZLW PRESS
- ^^^DIES USED WITH CT-2300 TOOL ONLY
- ** DIES USED WITH CT-3001 OR CT-3001/E TOOL
- # CRIMP HEAD USED WITH CT-2500 TOOL
- CP-991 AND CP-992 ARE AUTOMATIC STRIP AND CRIMP PRESSES FOR LOOSE PIECE FERRULES
- CTFP SERIES ARE PNEUMATIC CRIMP TOOLS



NOTES:

1. USED FOR:
A. 221°F [105°C] MAX. OPERATING TEMPERATURE
2. MATERIAL:
A. STAMPING: COPPER, TIN PLATED
B. HOUSING: POLYPROPYLENE, COLOR CODED
C. COLOR CODE CONFORMS TO DIN STANDARD
3. SEE www.panduit.com FOR PACKAGE QUANTITIES
4. DIMENSIONS IN BRACKETS ARE METRIC EQUIVALENT
5. FOR TOLERANCING REFER TO DIN 46228 PART 4

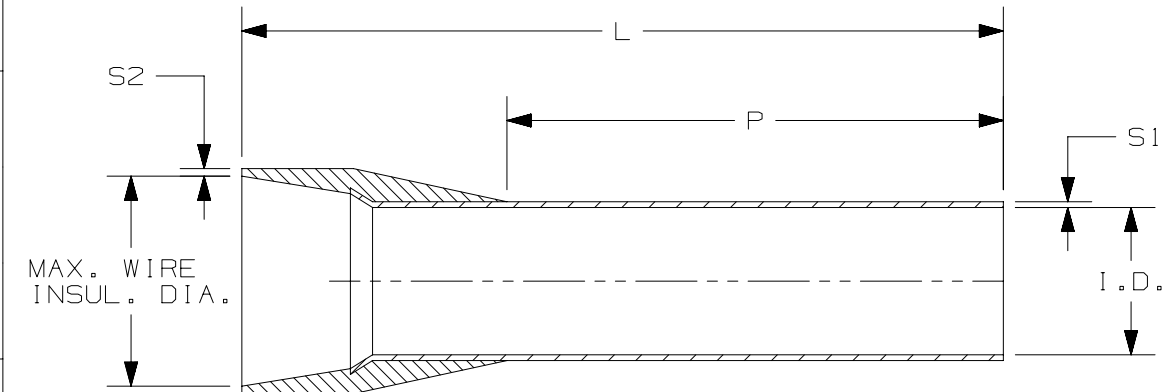


PART NUMBER		SEE TABLE	
TITLE			
FERRULES - SINGLE WIRE WITH SLEEVE (DIN)			
CUSTOMER DRAWING			
ITEM REVISION NAME		N41667BA/30	
DATASET FILE NAME		N41667BA_DC/30A	
MATERIAL		SEE NOTES	
DRAWN BY		DATE	CHK
JKD		02-09-99	SKB
SCALE		NONE	
DRAWING NUMBER		A41667	
SHEET 2 OF 3		B	

PANDUIT PART #	WIRE RANGE		COLOR (DIN)	WIRE STRIP LENGTH +1/32 -0 [+0,8 -0]	MAX. WIRE INSUL. DIA.	WIRE CLASS	DIMENSIONS in. [mm]					AUTOMATIC OR PNEUMATIC TOOLS	ADDITIONAL INSTALLATION TOOLS/DIES
	AWG	[mm ²]					L	P	ID	S1	S2		
FSD85-16	4	[25,0]	YELLOW	3/4 [19,1]	0.43 [10,9]	G, H, I, K, M	1.14 [29,0]	0.63 [16,0]	0.30 [7,5]	[0,20]	[0,50]	---	CT-1005 ^^^CD-092
FSD85-18				7/8 [22,2]	0.43 [10,9]		1.22 [31,0]	0.71 [18,0]	0.30 [7,5]	[0,20]	[0,50]		
FSD85-22				1 [25,4]	0.43 [10,9]		1.38 [35,0]	0.87 [22,0]	0.30 [7,5]	[0,20]	[0,50]		
FSD86-16	2	[35,0]	RED	3/4 [19,1]	0.48 [12,3]	G, H, I, K, M	1.18 [30,0]	0.63 [16,0]	0.33 [8,5]	[0,20]	[0,50]	---	CT-1005 ^^^CD-093
FSD86-18				7/8 [22,2]	0.48 [12,3]		1.26 [32,0]	0.71 [18,0]	0.33 [8,5]	[0,20]	[0,50]		
FSD86-25				1 1/8 [28,6]	0.48 [12,3]		1.26 [39,0]	0.98 [25,0]	0.33 [8,5]	[0,20]	[0,50]		
FSD87-20	1-1/0	[50,0]	BLUE	15/16 [23,8]	0.58 [14,8]	G, H, DLO, I, K, M	1.42 [36,0]	0.79 [20,0]	0.41 [10,5]	[0,30]	[0,60]	---	CT-1006 **CD-2001-F87 @CD-920-F87 ^^^CD-093
FSD87-25				1 1/8 [28,6]	0.58 [14,8]		1.61 [41,0]	0.98 [25,0]	0.41 [10,5]	[0,30]	[0,60]		
FSD89-20	2/0	[70,0]	YELLOW	15/16 [23,8]	0.62 [15,8]	G, H, DLO, I, K, M	1.46 [37,0]	0.79 [20,0]	0.50 [12,7]	[0,40]	[0,60]	---	**CD-2001-F89 CD-920-F89
FSD89-27				1 1/4 [31,0]	0.62 [15,8]		1.73 [44,0]	1.06 [27,0]	0.50 [12,7]	[0,40]	[0,60]		
FSD90-25	3/0	[95,0]	RED	1 1/8 [28,6]	0.70 [17,7]	H, DLO, I, K, M	1.73 [44,0]	0.98 [25,0]	0.58 [14,7]	[0,40]	[0,60]	---	**CD-2001-F90 CD-920-F90
FSD91-27	4/0-250	[120,0]	BLUE	1 1/4 [31,0]	0.81 [20,7]	DLO, K, M	1.89 [48,0]	1.06 [27,0]	0.66 [16,7]	[0,50]	[0,8]	---	**CD-2001-F91 @CD-920-F91
FSD92-32	300 kcmil	[150,0]	YELLOW	1 1/2 [37,0]	0.89 [22,6]	H, DLO, I, K	2.28 [58,0]	1.26 [32,0]	0.73 [18,6]	[0,50]	[1,0]	---	**CD-2001-F92 CD-920-F92

TABLE DETAILS:

- * TURQUOISE IS DIN COLOR FOR 22 AWG [0,34]
- @ TOOL/PART COMBINATION IS ONLY LISTED WITH CLASS G WIRE
- + UL LISTED WITH 22 - 20 AWG WHEN CRIMPED WITH CT-1200 OR CT-1201 TOOL.
UL LISTED FOR SIZES 26 AWG TO 300 KCMIL
- ++ TOOL/PART NOT A UL LISTED COMBINATION
- ^ TOOL/PART NOT A UL LISTED COMBINATION WITH CLASS I WIRE
- ^^DIES USED WITH CT-2300 TOOL AND UP14ZLW PRESS
- ^^^DIES USED WITH CT-2300 TOOL ONLY
- ** DIES USED WITH CT-3001 OR CT-3001/E TOOL
- # CRIMP HEAD USED WITH CT-2500 TOOL
- CP-991 AND CP-992 ARE AUTOMATIC STRIP AND CRIMP PRESSES FOR LOOSE PIECE FERRULES
- CTFP SERIES ARE PNEUMATIC CRIMP TOOLS



NOTES:

1. USED FOR:
 - A. 221°F [105°C] MAX. OPERATING TEMPERATURE
2. MATERIAL:
 - A. STAMPING: COPPER, TIN PLATED
 - B. HOUSING: POLYPROPYLENE, COLOR CODED
 - C. COLOR CODE CONFORMS TO DIN STANDARD
3. SEE www.panduit.com FOR PACKAGE QUANTITIES
4. DIMENSIONS IN BRACKETS ARE METRIC EQUIVALENT
5. FOR TOLERANCING REFER TO DIN 46228 PART 4



PART NUMBER		SEE TABLE	
TITLE			
FERRULES - SINGLE WIRE WITH SLEEVE (DIN)			
CUSTOMER DRAWING			
ITEM REVISION NAME		N41667BA/30	
DATASET FILE NAME		N41667BA_DC/30A	
MATERIAL		SEE NOTES	
DRAWING NUMBER		A41667	
DRAWN BY	DATE	CHK	SCALE
JKD	02-09-99	SKB	NONE
SHEET 3 OF 3			SIZE
			B