

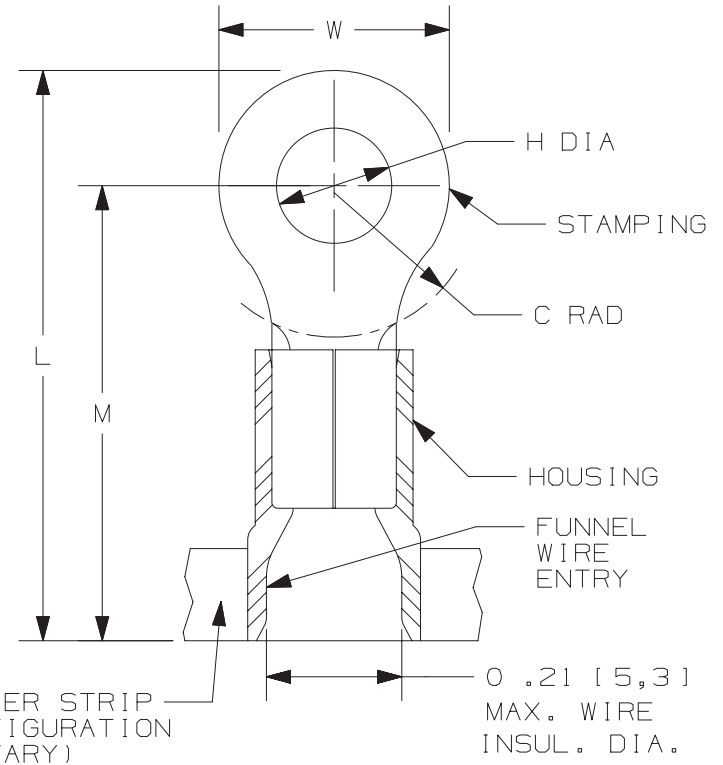
THIS COPY IS PROVIDED ON A RESTRICTED BASIS AND IS NOT TO BE USED IN ANY WAY DETRIMENTAL TO THE INTERESTS OF PANDUIT CORP.

PANDUIT PART #	STUD SIZE		DIMENSIONS in. [mm]				
	ENGLISH	METRIC	L ± .03 [1,52]	W ± .01 [0,25]	C ± .02 [0,51]	M ± .03 [0,76]	H ± .01 [0,25]
PV10-6RB	#6	M3,5	1.02 [25,9]	.31 [7,9]	.31 [7,9]	.86 [21,8]	.15 [3,8]
PV10-8RB	#8	M4	1.02 [25,9]	.31 [7,9]	.31 [7,9]	.86 [21,8]	.17 [4,3]
PV10-10RB	#10	--	1.02 [25,9]	.31 [7,9]	.31 [7,9]	.86 [21,8]	.20 [5,1]
PV10-14RB	1/4"	M6	1.20 [30,5]	.52 [13,2]	.38 [9,7]	.94 [23,9]	.27 [6,9]
PV10-56RB	5/16"	M8	1.20 [30,5]	.52 [13,2]	.38 [9,7]	.94 [23,9]	.33 [8,4]
PV10-38RB	3/8"	--	*1.29 [32,7]	.58 [14,7]	.38 [9,7]	.94 [23,9]	.39 [9,9]

* PV10-38RB "L" TOLERANCE IS ±.06

NOTES:

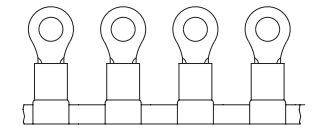
- USED FOR:
 - A. #12-10 AWG [4,0-6,0 mm²] SOLID OR STRANDED COPPER WIRE
 - B. 221°F [105°C] MAX. OPERATING TEMPERATURE
 - C. 600 V. MAX. VOLTAGE RATING
- INSTALLATION TOOLS:
 - A. PRESSES: CP-861, CP-862, CP-871
 - B. APPLICATOR: CA-800EZ, CA9
 - C. DIE INSERTS: CD-800-3, CD9-3B
- WIRE STRIP LENGTH: 11/32" ^{+1/32} [8,7^{+0,8}]
- MATERIAL:
 - A. STAMPING: .03" [0,8] THK COPPER, TIN PLATED
 - B. HOUSING: VINYL, YELLOW
- SEE www.panduit.com FOR PACKAGE QUANTITIES INDICATED BY PART NUMBER SUFFIX
- DIMENSIONS IN BRACKETS ARE METRIC EQUIVALENT



LISTED
587H
E52164



CERTIFIED
LR31212



PART NUMBER		SEE TABLE	
TITLE			
RING TERMINALS, 2 PC. VINYL INSULATED, #12-10			
CUSTOMER DRAWING			
ITEM REVISION NAME		N41067BA/06	
DATASET FILE NAME		N41067BA_DC/06A	
UNLESS OTHERWISE SPECIFIED, DIMENSIONAL TOLERANCES ARE: IN [mm]		MATERIAL:	
.x ± .xxx ± .010 [.3]		SEE NOTES	
.xx ± .03 [.8] ANGLES ±		DRAWING NUMBER:	
THIRD ANGLE PROJECTION		A41067	
DRAWN BY	DATE	CHK	SCALE
CLK	-	-	N.T.S
SHT 1 OF 1			SIZE
			A

D10100DA/14