

# PA15

## DRIVE-THROUGH/SERVICE COUNTERS AIR CURTAIN



### CREATES SEPARATE CLIMATIC ZONES AND SAVES ENERGY

The compact dimensions and design of this air curtain are ideal for installing above drive-through windows and service counters. An air curtain is designed to create a thermal barrier between two environments so that the internal temperature inside the building is maintained – a relevant goal in both summer and winter. Air curtains are an ideal solution for maintaining a comfortable environment for employees. Furthermore, air curtains improve air quality by minimizing the ingress of exhaust gases, dust, smoke, bad odors and insects.

#### ■ ENERGY-SAVING THERMAL BARRIER

#### ■ SLEEK, CLEAN DESIGN

#### ■ CAN/CSA AND UL CERTIFIED

#### ■ HIGH-EFFICIENCY EC MOTOR

#### ■ AMCA LAB-TESTED (SOUND & PERFORMANCE)

#### COLOURS

- **standard:** white front (RAL 9016, NCS S 0500-N)
- grille, rear face, ends and brackets: grey (RAL 7046)
- other colors available on special order (not part of the Orora program)

#### MODEL

- electric heat

#### MANUFACTURING

- corrosion proof housing made of hot zinc-plate and powder coated steel panels
- quick access to internal components via the maintenance hatch
- 4.3 ft. (1.3 m) power cord without plug
- high-limit temperature control with automatic reset

#### VOLTAGE

- 208V, 60Hz, 1 phase

#### FAN

- squirrel-cage fans

#### ELEMENT

- element provides instant heat

#### CONTROL

- control knobs to set the fan and heating steps

#### INSTALLATION

- the unit can be installed at an angle on the bracket, which is used for wall or ceiling mounting

#### CERTIFICATION

- certified INTL as per: CAN/CSA-E60335-2-30:13 (R2018)
- UL 2021 Ed. 4.0. Standards

#### WARRANTY

- 1-year warranty against defects

#### IDEAL FOR:

small openings: restaurant drive-through, service counters

# TECHNICAL SPECIFICATIONS

| PRODUCT     | VOLTAGE     | kW      | FLA* | AIR FLOW | dBA** | WEIGHT |    |
|-------------|-------------|---------|------|----------|-------|--------|----|
| CODE        | VOLTS (1PH) | Lo/Hi   | -    | CFM      | -     | KG     | LB |
| PA1508E02NA | 208         | 1.7/2.4 | 13   | 200      | 50    | 7.7    | 17 |
| PA1508E04NA | 208         | 2.5/3.7 | 19   | 200      | 50    | 7.7    | 17 |

To order any custom colors from the R.A.L. chart, add "SP" at the end of the Product # and specify RAL color # on the order.  
 When ordering a different color, inquire about delivery times and prices.  
 Contact our customer service department for lead times.

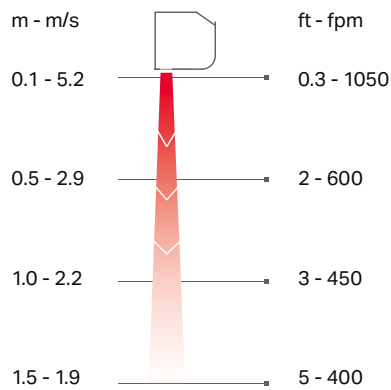
Above table is valid for 208V, 1ph, 60Hz. Also approved for 230V, 1ph, 60Hz.  
 Product performance for 230V, 1ph, 60Hz will differ from stated data.

\*FLA: total amperage for motor and heat.

\*\*Sound pressure (dBA) Conditions: Distance to the unit 5 m. Directional factor: 2. Equivalent absorption area: 200 m<sup>2</sup>. At highest air flow.

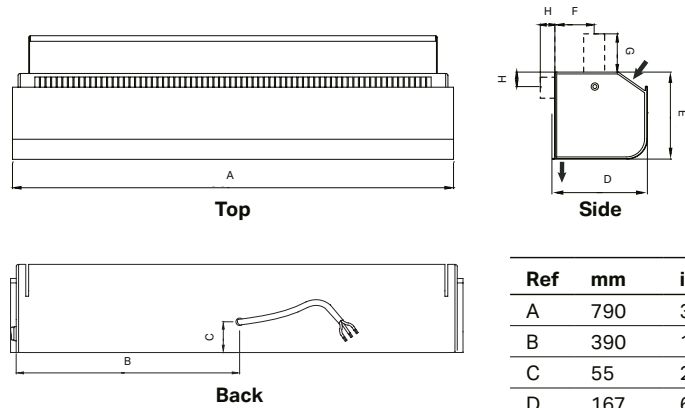
## TECHNICAL DRAWINGS

### Air velocity profile



Measurements according to AMCA 220-05.  
 Average values for products in the series.

### Dimensions



| Ref | mm  | in   |
|-----|-----|------|
| A   | 790 | 31.1 |
| B   | 390 | 15.4 |
| C   | 55  | 2.2  |
| D   | 167 | 6.6  |
| E   | 154 | 6.1  |
| F   | 70  | 2.8  |
| G   | 67  | 2.6  |
| H   | 25  | 1.0  |