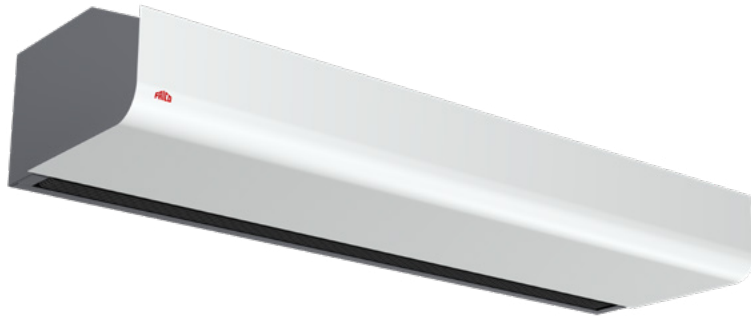


EC32

AIR CURTAIN FOR COMMERCIAL PREMISES



STYLISH AIR CURTAIN

Stylish air curtain for commercial and industrial premises, with EC motor and intelligent control. The EC32 has a modern and stylish design developed to fit all entrances.

- **ENERGY-SAVING THERMAL BARRIER**
- **SLEEK, CLEAN DESIGN**
- **CAN/CSA AND UL CERTIFIED**
- **HIGH-EFFICIENCY EC MOTOR**
- **AMCA LAB-TESTED (SOUND & PERFORMANCE)**

COLOURS

- **standard** : stainless steel housing, white (RAL 9016, NCS S 0500-N).
- grille, rear face and ends grey: (RAL 7046)
- **Orora (optional)** : refer to stelpro.com/orora/

MODEL

- electric heat
- no heat

MANUFACTURING

- quick access to internal components via the maintenance hatch.
- high-limit temperature control with automatic reset.
- integrated transformer for motor and control circuit (480V and 600V models)

VOLTAGE

- 208V, 480V, 600V, 60 Hz

MOTOR

- very low operating costs can be achieved thanks to the combination of EC motors and Frico's unique fan geometry

FAN

- squirrel-cage fans

ELEMENT

- element provides instant heat (electric heat model)

CONTROL

- door switch included

INSTALLATION

- maximum height installation:
 - surface and Recessed mounted: 10.5 ft. (3.2 m) above floor
- design kit can be used for unobtrusive installations using concealed brackets, tubes and cables (not included)

Note: The recommended installation height may vary according to the installation conditions. Air curtains must be placed as near to the entrance as possible and cover the entire width.

CERTIFICATION

- CAN/CSA-E60335-2-30:13 (R2018)
- UL 2021 Ed. 4.0

WARRANTY

- 5-year warranty against defects

IDEAL FOR:

commercial buildings and small industrial entrances



Stelpro reserves the right to modify at any time the description, manufacturing, or price of its products. Additionally, Stelpro may apply restocking fees or refuse a refund based on one or more of the following criteria: optional color, custom product, assembly with low-demand options. For the latest product information and prices regarding the products, please visit the website www.stelpro.com.

TECHNICAL SPECIFICATIONS

PRODUCT	VOLTAGE	kW	AMP.	cfm	MAX VELOCITY	dBA**	EFFECTIVE WIDTH OF AIR STREAM		WEIGHT	
							IN.	MM	LB	KG
CODE	VOLTS (1PH)	Lo/Hi	-	-	(FT/MIN)*	-	IN.	MM	LB	KG
SURFACE-MOUNTED										
ELECTRIC HEAT										
PAEC3210CE08-600VNA	600 (3)	4/8	9	1150	2346	73	38,4	975	57	26
PAEC3215CE12-600VNA	600 (3)	6/12	13	1600	2267	72	58,5	1486	82	37
PAEC3220CE16-600VNA	600 (3)	8/16	17	2250	2346	75	77,8	1976	112	51
PAEC3210CE08-480VNA	480 (3)	4/8	11	1150	2346	73	38,4	975	57	26
PAEC3215CE12-480VNA	480 (3)	6/12	16	1600	2267	72	58,5	1486	82	37
PAEC3220CE16-480VNA	480 (3)	8/16	21	2250	2346	75	77,8	1976	112	51
PAEC3210CE07-208VNA	208 (3)	4/7	21	1150	2346	73	38,4	975	57	26
PAEC3215CE10-208VNA	208 (3)	7/10	29	1600	2267	72	58,5	1486	82	37
PAEC3220CE13-208VNA	208 (3)	8/13	39	2250	2346	75	77,8	1976	112	51
NO HEAT										
PAEC3210CA-NA	208 (1)	-	0,7	1150	2346	72	38,4	975	57	26
PAEC3215CA-NA	208 (1)	-	0,9	1600	2267	72	58,5	1486	79	36
PAEC3220CA-NA	208 (1)	-	1,4	2250	2346	74	77,8	1976	106	48
RECESSED										
ELECTRIC HEAT										
AREC3210CE08-600VNA	600 (3)	4/8	9	950	2159	72	38,2	970	68	31
AREC3215CE12-600VNA	600 (3)	6/12	13	1350	2018	73	58,5	1486	91	41
AREC3220CE16-600VNA	600 (3)	8/16	17	1900	2159	74	78,7	2000	130	59
AREC3210CE08-480VNA	480 (3)	4/8	11	950	2159	72	38,2	970	68	31
AREC3215CE18-480VNA	480 (3)	6/12	16	1350	2018	72	58,5	1486	91	41
AREC3220CE16-480VNA	480 (3)	8/16	21	1900	2159	74	78,7	2000	130	59
AREC3210CE07-208VNA	208 (3)	4/7	21	950	2159	72	38,2	970	68	31
AREC3215CE10-208VNA	208 (3)	7/10	29	1350	2018	73	58,5	1486	91	41
AREC3220CE13-208VNA	208 (3)	8/13	39	1900	2159	74	78,7	2000	130	59
NO HEAT										
AREC3210CA-NA	208 (1)	-	0,7	950	2159	72	38,2	970	64	29
AREC3215CA-NA	208 (1)	-	0,9	1350	2018	73	58,5	1486	88	40
AREC3220CA-NA	208 (1)	-	1,4	1900	2159	74	78,7	2000	121	55

To order any custom colors from the R.A.L. chart, add "SP" at the end of the Product # and specify RAL color # on the order. When ordering a different color, inquire about delivery times and prices. Contact our customer service department for lead times.

*Measurements according to AMCA 220-05. Average values for products in the series. Measurement taken at 0.3 ft. (0.1 m).

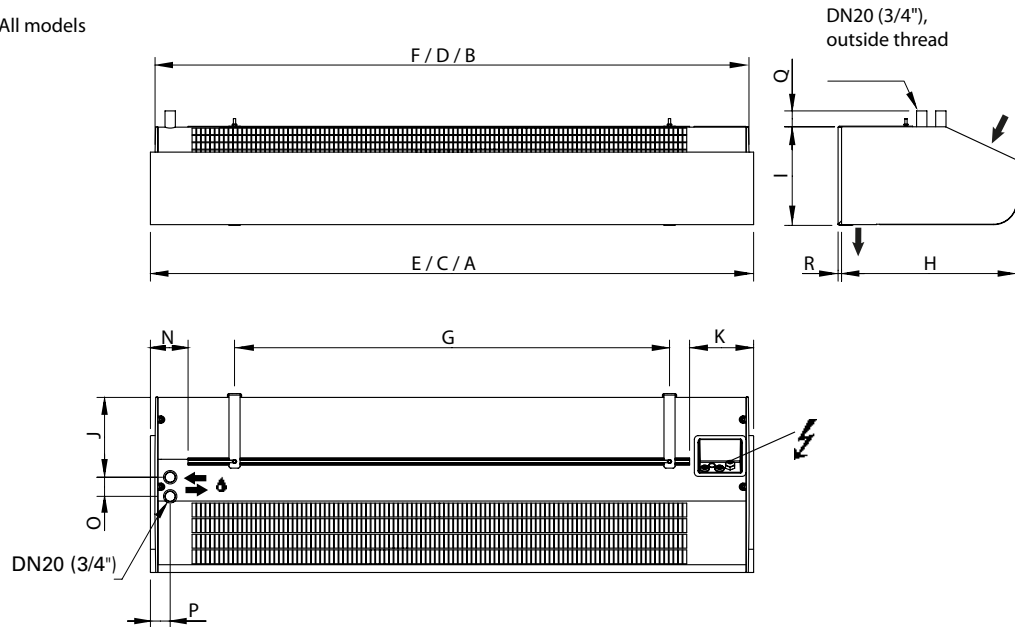
**Values shown are for total sound power levels for Installation Type A: free inlet, free outlet. The Sound power level ratings shown are in decibels, referred to 10-12 watts, calculated per AMCA Standard 301.

ACCESSORIES

PRODUCT	DESCRIPTION	QUANTITY INCLUDED	LENGTH	
			IN.	MM
PA3PF15	Ceiling mounting brackets for 1 and 1.5 m units	4	8.25	210
PA3PF20	Ceiling mounting brackets for 2 m units	6	8.25	210
PA2P15	Hanging brackets for 1 and 1.5 m units	2	39	1000
PA2P20	Hanging brackets for 2 m units	3	39	1000

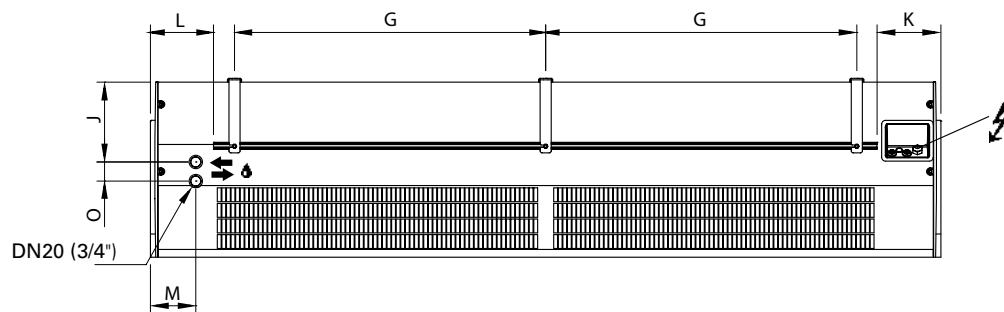
TECHNICAL DRAWINGS

All models

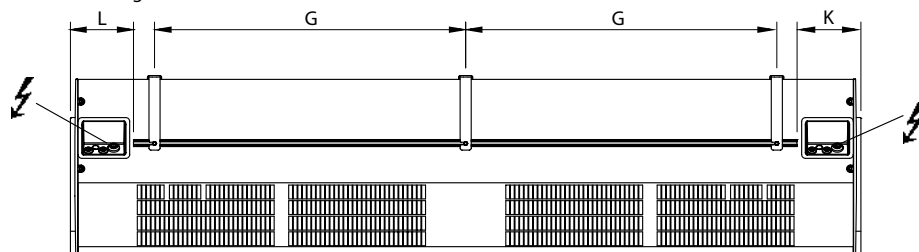


2 m / 6.6 ft units

Unit without heating or with water heating



Unit with electrical heating



	Metric [mm]	Imperial [in]	Type
A	2068	81.40	PAEC3220Cx
B	2045	80.50	PAEC3220Cx
C	1578	62.10	PAEC3215Cx
D	1555	61.20	PAEC3215Cx
E	1068	42.00	PAEC3210Cx
F	1045	41.10	PAEC3210Cx
G	500	19.68	
H	458	18.00	
I	256	10.00	

	Metric [mm]	Imperial [in]
J	209	8.22
K	167	6.57
L	165	6.49
M	119	4.68
N	99	3.89
O	50	1.96
P	52	2.00
Q	42	1.65
R	10	0.39