



# SHOP DRAWING

## CEILING FAN HEATER SK SERIES



## FEATURES

### COLOURS

- standard: white, soft white
- ORORA (optional): denim blue, midnight blue, turquoise, moss green, canary yellow, red, orange, anodized aluminum paint, gravel gray, charcoal, espresso, black (refer to page 8 of the catalogue)

### FINISH

epoxy-polyester powdercoat

### MANUFACTURING

- 22-gauge steel cabinet and 20-gauge steel grille
- 1/4 in. (6.4 mm) deep front grille
- easy access for maintenance purposes (no screws)

### THERMAL PROTECTION

thermal protection with automatic reset

### ELEMENT

nichrome element produces instant heat

### CONTROL

- built-in thermostat (optional)
- wall thermostat (not included) – the use of an electronic thermostat is strongly recommended
- 60-minute timer (optional)

### INSTALLATION

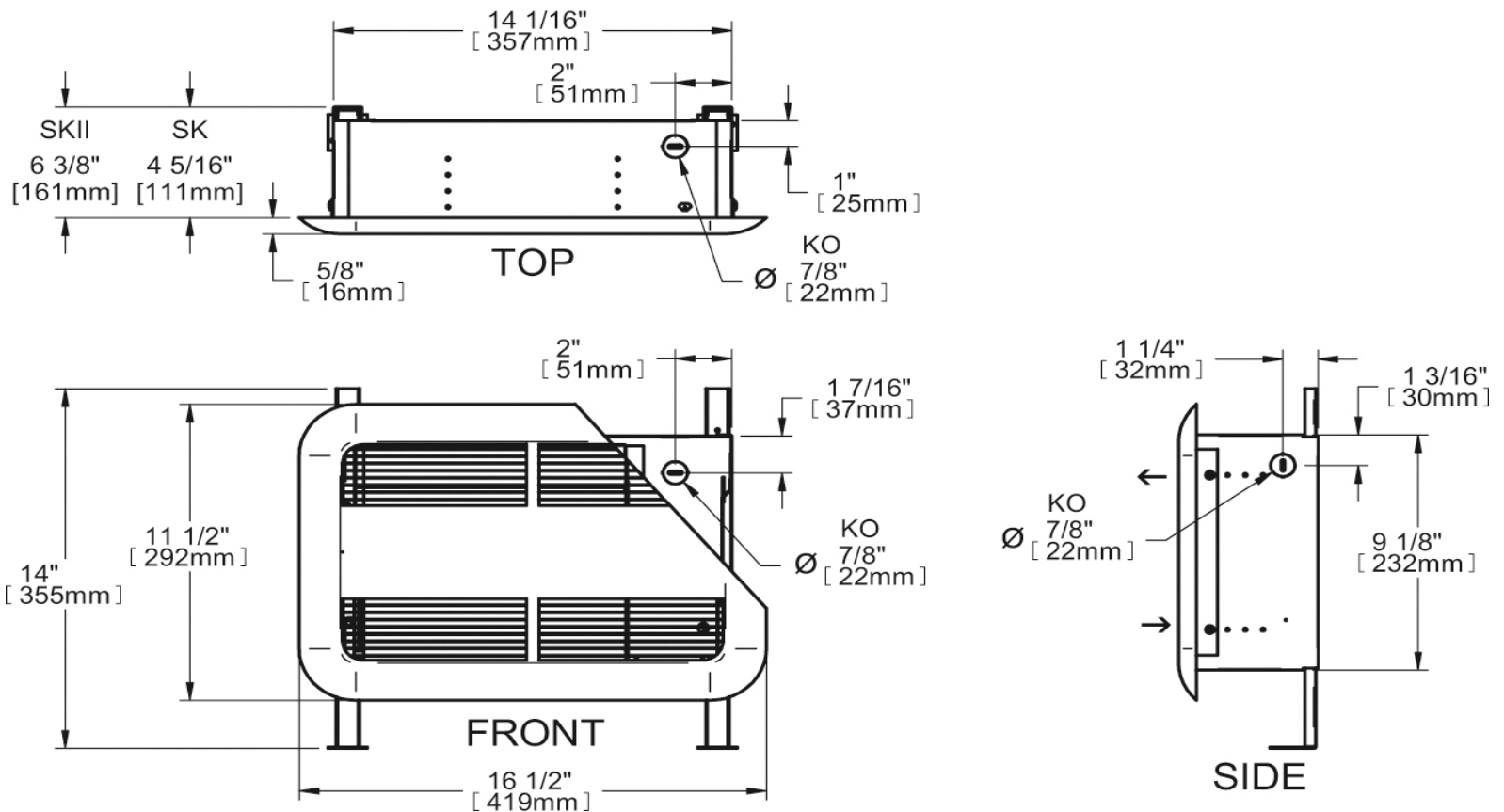
- ceiling mounted (recommended height of 8 ft., maximum of 9 ft.)
- surface mounted with surface adapter (optional)
- recessed or surface mounted with adapter for suspended ceiling (optional)
- unit can be mounted parallel or perpendicular to ceiling beams
- approved to be recessed in mineral wool; for all other materials please verify with the manufacturer of the insulating product



**COLOR:**

TYPE	QTY	MODEL	WATTS	VOLTS	CFM	ACCESSORIES

**TECHNICAL DRAWING**



MODEL	DESCRIPTION	DELIVERY TIME

COMMENTS:	PROJECT:	
	ARCHITECT:	
	ENGINEER:	
	CONTRACTOR:	
	DISTRIBUTOR:	
	DATE:	