



SHOP DRAWING

ELECTRONIC THERMOSTAT

STE402NP/403NP SERIES - SINGLE PROGRAMMING



STE402NP



STE403NP



FEATURES

COLOUR

white (soft white is available only for the STE402NP model and packaged in a clamshell)

FINISH

molded plastic

WATTAGE & VOLTAGE

- STE403NP: 150 W to 2000 W @ 120 V / 260 W to 3475 W @ 208 V / 300 W to 4000 W @ 240 V / 350 W to 4600 W @ 277 V
- STE403NP: 400 W to 5750 W @ 347 V

CONTROL

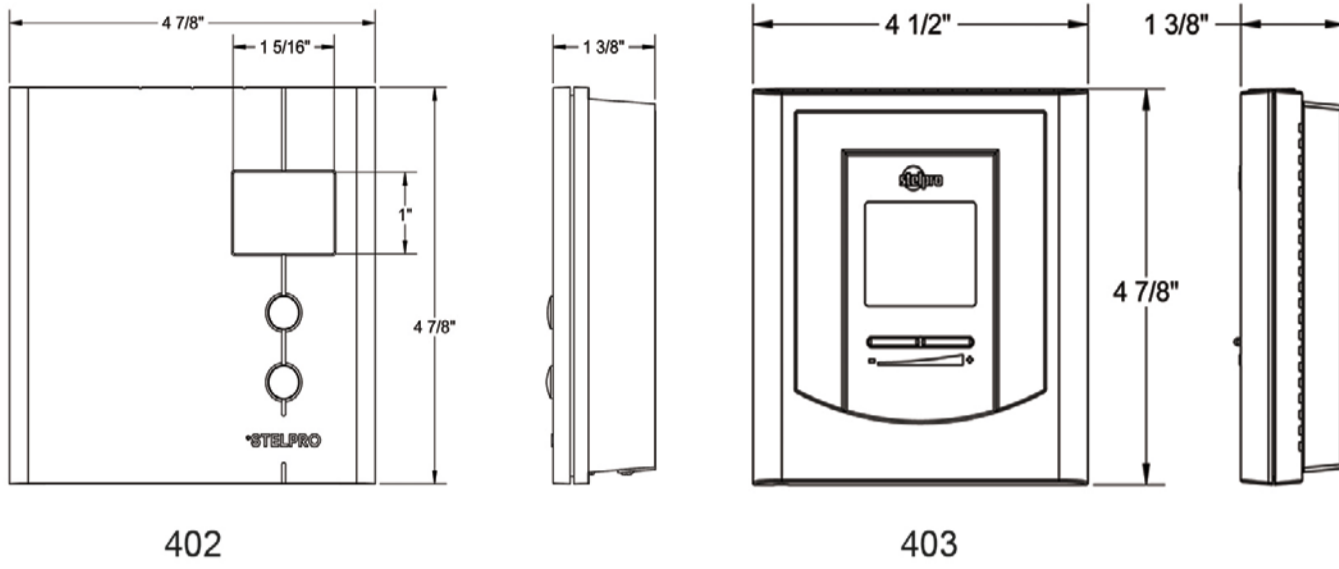
- 2-wire connection
- acts like a programmable thermostat by automatically lowering the temperature once per 24-hour period (Single programming mode)
- compatible with forced-air units (Fan mode)
- frost-free warning
- lock option at a maximum temperature setpoint (Security mode)
- display in either Celsius or Fahrenheit

ACCURACY

accurate ambient temperature control of ± 0.1 °C (0.18 °F)

TEMPERATURE RANGE

between 3 and 30 °C (37 to 86 °F)



QTY	MODEL	WATTS min.	WATTS max.	VOLTS	AMP	HZ	COLOR	BACKLIGHT	UNITS

MODEL	DESCRIPTION	DELIVERY TIME

COMMENTS:	PROJECT:	
	ARCHITECT:	
	ENGINEER:	
	CONTRACTOR:	
	DISTRIBUTOR:	
	DATE:	