



SHOP DRAWING

ELECTRONIC THERMOSTAT STE402P SERIES - MULTIPLE PROGRAMMING



FEATURES

COLOUR

white

FINISH

molded plastic

WATTAGE & VOLTAGE

150 Wto 2000 W@ 120 V/ 260 Wto 3475 W@208 V/300 Wto 4000 W@240 V

CONTROL

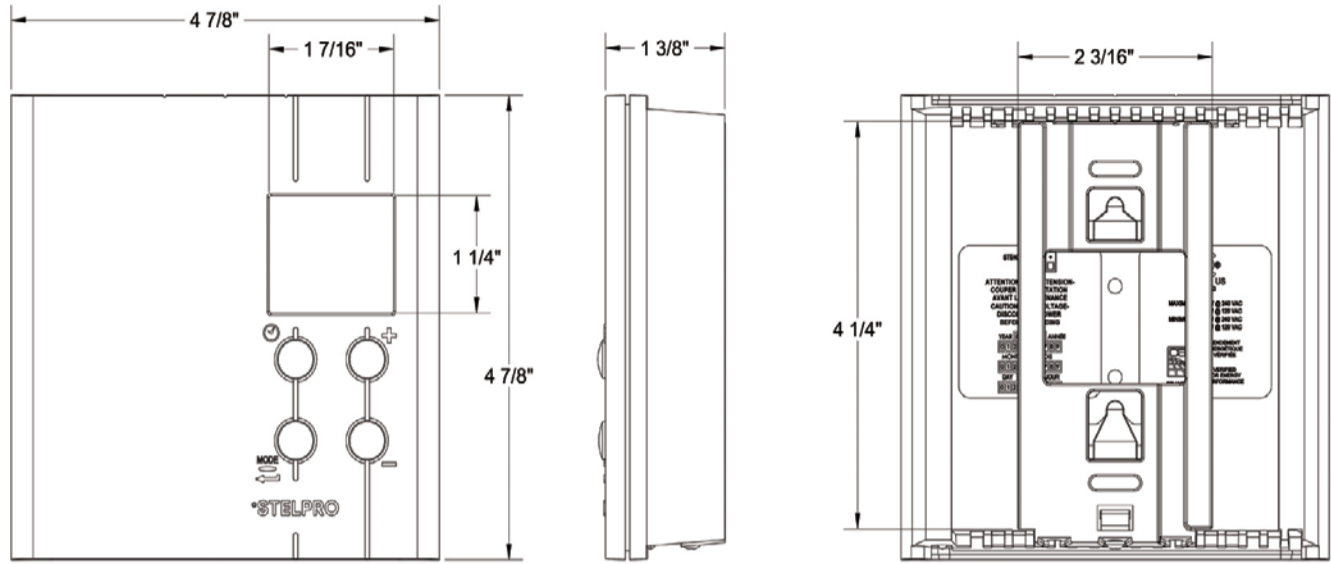
- 2-wire connection
- compatible with forced-air units (Fan mode)
- easily choose the desired preprogramming with one button
- program 4 periods a day during the week and 4 others per day during the weekend, for a maximum of 8/week
- anticipated start (the thermostat reaches the desired temperature at the requested hour)
- frost-free warning
- lock option at a minimum and maximum temperature setpoint (Security mode)
- protection against power failure (2 hours)
- the hour can be displayed in 12 or 24-hour mode
- display in either Celsius or Fahrenheit

ACCURACY

accurate ambient temperature control of ± 0.1 °C (0.18 °F)

TEMPERATURE RANGE

between 3 and 30 °C (37 to 86 °F)



QTY	MODEL	WATTS min.	WATTS max.	VOLTS	AMP	HZ	COLOR	BACKLIGHT	UNITS

MODEL	DESCRIPTION	DELIVERY TIME

COMMENTS: 	<i>PROJECT:</i>	
	<i>ARCHITECT:</i>	
	<i>ENGINEER:</i>	
	<i>CONTRACTOR:</i>	
	<i>DISTRIBUTOR:</i>	
	<i>DATE:</i>	