

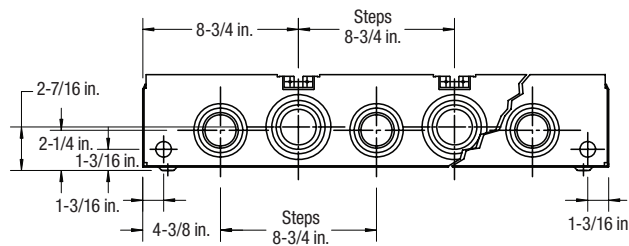
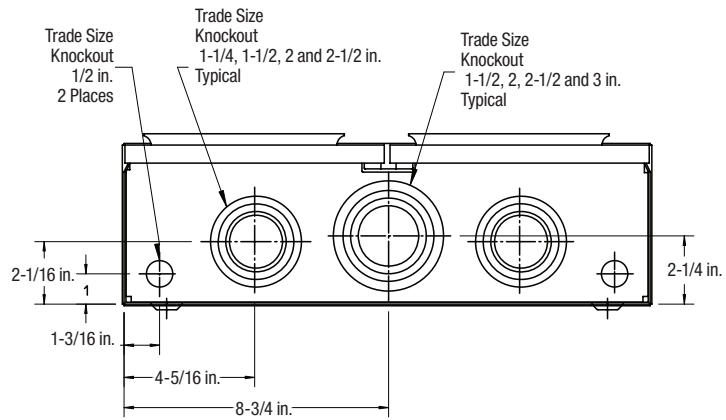
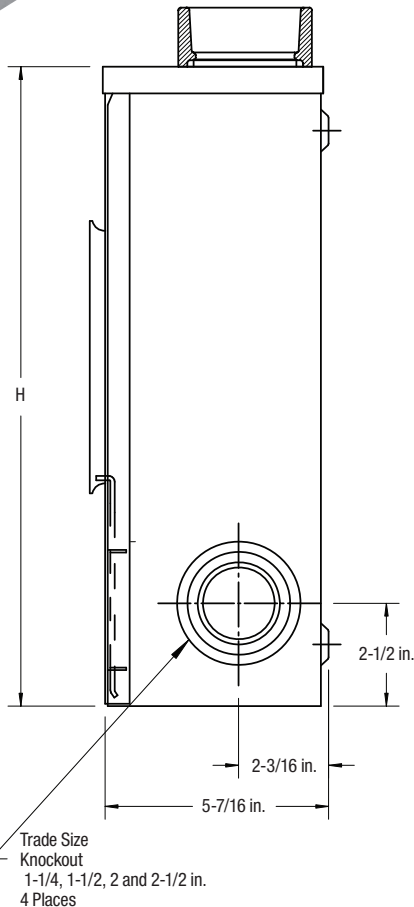
(BD2-V)

## BD2 Series

**200 A (Main Lugs) 600 V;  
Multiple Position – 200 A per Position**

### Product Specifications

- Conductor range: Line: 6 AWG-250 kcmil, Load: 6 AWG-250 kcmil
- Aluminum tunnel type connectors for both load and line sides
- Factory prebussed from main lugs to each position
- Supplied with hub opening closure plate for underground service
- Combination overhead underground
- Supplied with screw type rings
- Weatherproof Type 3R enclosure
- **Primarily used in: All provinces**



**Note:** Pattern for bottoms. Left hand entry is shown. For right-hand entry, unit is manufactured symmetrically with hub openings, knockout and line connections on right side.

 Approved for copper or aluminum

Cat. No.	Meter Position	Dimensions (in.)			Weight Each	
		H	W	D	lb.	kg
<b>4 JAW</b>						
<b>LEFT-HAND ENTRY</b>	<b>RIGHT-HAND ENTRY</b>					
BD2-V	BD2-VH	2 position	17-1/2	5-7/16	23	10.4
BD3-V	BD3-VH	3 position	26-1/4		35	15.9
BD4-V	BD4-VH	4 position	35		47	21.3
BD2-VBC	BD2-VBCH	2 position for British Columbia	20		27	12.2

## BDA2-V Series

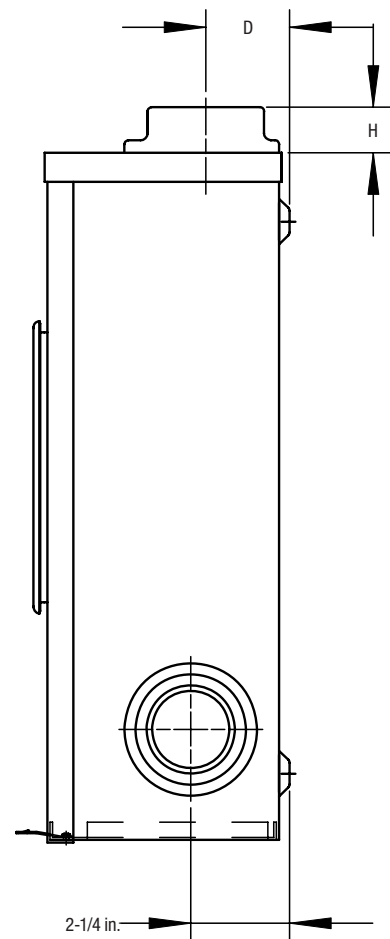
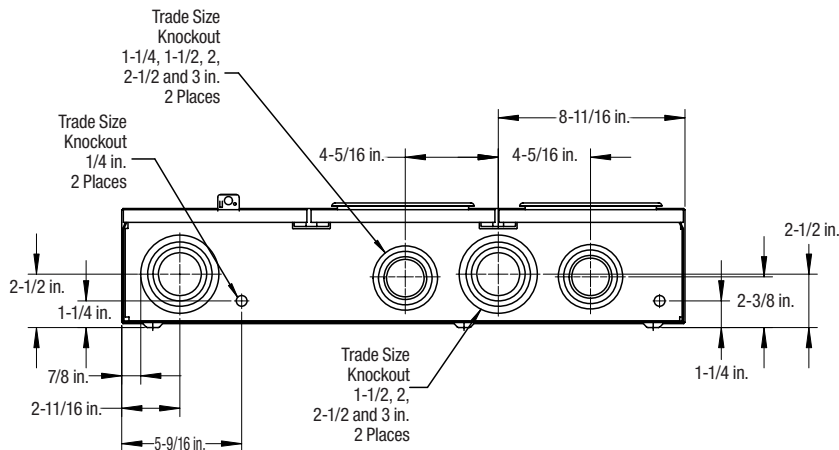
**200 A (Main Lugs) 600 V; Multiple Position with Blank Compartment 200 A per position**

### Product Specifications

- Conductor range: Line: 6 AWG-250 kcmil, Load: 6 AWG-250 kcmil
- Aluminum tunnel type connectors for load side
- Combination overhead and underground
- Hub opening closure plate for underground service
- Supplied with screw type rings
- Weatherproof Type 3R enclosure
- **Primarily used in: Ontario only**



(BDA2-V)



 Approved for copper or aluminum

Cat. No.	Meter Position	Dimensions (in.)			Weight Each	
		H	W	D	lb.	kg
<b>4 JAW</b>						
<b>LEFT-HAND ENTRY</b>	<b>RIGHT-HAND ENTRY</b>					
<b>BDA2-V</b>	<b>BDA2-VH</b>	2 position	15-5/8	26-3/16	5-1/4	31 14.6



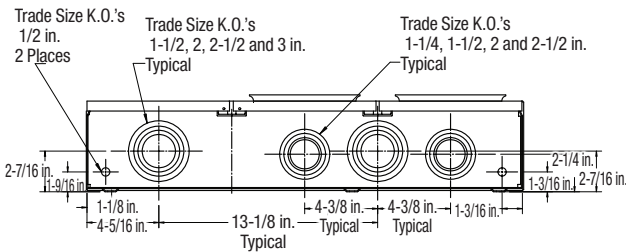
(BDC2-VIL)

## BDC Series

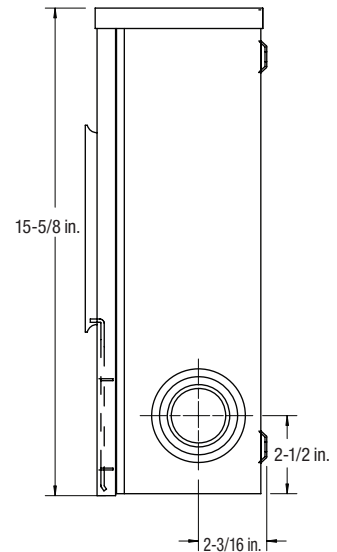
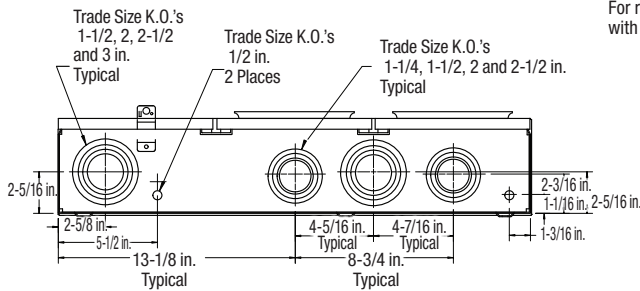
**200 A (Main Lugs) 600 V; Stud Type  
Multiple Position with Blank Compartment  
200 A per Position**

### Product Specifications

- Conductor Range: Line: Single 1/2 in. studs to accommodate compression lugs (supplied by utility), Load: 6 AWG-250 kcmil
- Aluminum tunnel type connectors for load sides
- For underground service only
- Factory prebussed from main lugs to each position
- Supplied with screw type sealing rings
- Weatherproof Type 3R enclosure
- **Primarily used in: All provinces**



Note: Pattern for bottoms. Left hand entry is shown.  
For right-hand entry, unit is manufactured symmetrically with hub openings, knockouts for line connectors on right side.



### For use in All Provinces



Cat. No.		Meter Position	Dimensions (in.)			Weight Each	
Left-Hand Entry	Right-Hand Entry		H	W	D	lb.	kg
<b>4 JAW</b>							
BDC2-V	BDC2-VH	2 position		26-1/4		30	13.6
BDC3-V	BDC3-VH	3 position	15-5/8	35	5-1/4	42	19.0
BDC4-V	BDC4-VH	4 position		43-3/4		54	24.5

Locking system outside meter section.

### For use in Quebec



Cat. No.		Meter Position	Dimensions (in.)			Weight Each	
Left-Hand Entry	Right-Hand Entry		H	W	D	lb.	kg
<b>4 JAW</b>							
BDC2-VIL	BDC2-VHIL	2 position		26-1/4		30	13.6
BDC3-VIL	BDC3-VHIL	3 position	15-5/8	35	5-1/4	42	19.0
BDC4-VIL	BDC4-VHIL	4 position		43-3/4		54	24.5

Locking system inside meter section.

### For use in British Columbia



Cat. No.		Meter Position	Dimensions (in.)			Weight Each	
Left-Hand Entry	Right-Hand Entry		H	W	D	lb.	kg
<b>4 JAW</b>							
BDC2-VAILBC	BDC2-VAHILBC	2 position		26-1/4	5-1/4	30	13.6
BDC3-VAILBC	BDC3-VAHILBC	3 position	20-3/4	35		42	19.0
BDC4-VAILBC	BDC4-VAHILBC	4 position					

Locking system inside meter section, comes with tunnel type connector on line side.

### For use in Ontario



Cat. No.		Meter Position	Dimensions (in.)			Weight Each	
Left-Hand Entry	Right-Hand Entry		H	W	D	lb.	kg
<b>5 JAW</b>							
BDC2-5V		2 position		26-1/4		30	13.6
BDC3-5V		3 position	23-3/8	35	5-5/16	42	19.0
BDC4-5V		4 position		43-3/4		54	24.5

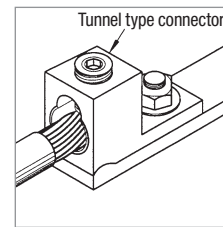
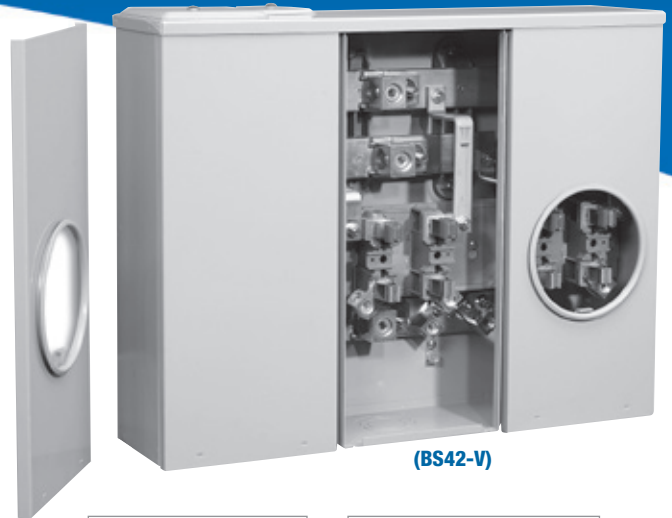
Locking system outside meter section.

## BS4 Series

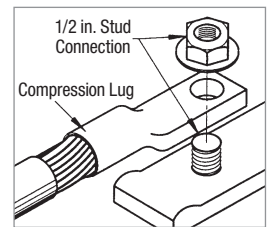
**400 A (Main Lugs) 600 V; Multiple Position with Blank Compartment 200 A per Position**

### Product Specifications

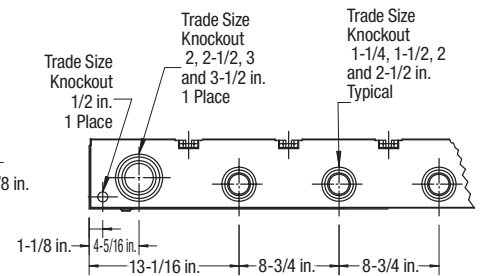
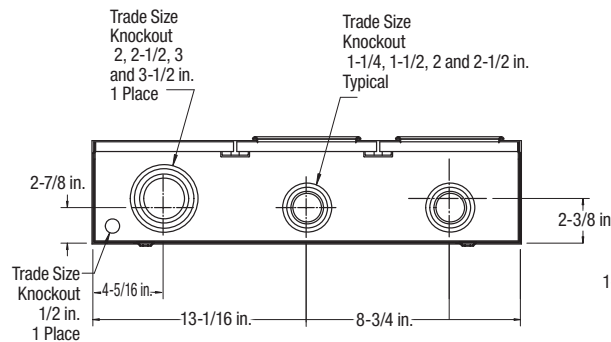
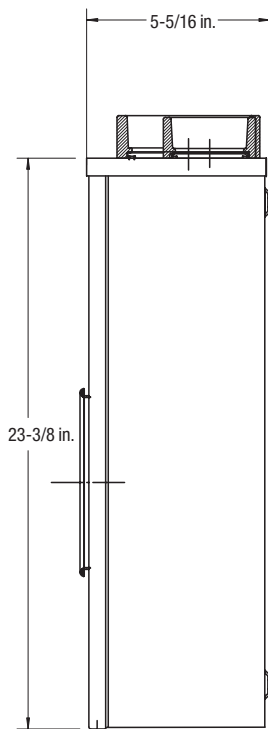
- Conductor range: Line: Dual rated connectors for 1 x 4 AWG-600 kcmil or 2 x 1/0 AWG-250 kcmil, Load: 6 AWG-250 kcmil
- Aluminum tunnel type connectors for both load and line sides
- Factory prebussed from main lugs to each position
- Combination overhead-underground
- Supplied with hub opening closure plate for underground service
- Larger hub opening requires use of 3 in. , 3-1/2 in. or 4 in. hubs unless BS052 adapter plate is used
- Supplied with screw type rings
- Weatherproof Type 3R enclosure
- **Primarily used in: All provinces**



**TUNNEL TYPE CONNECTOR TERMINATION LOAD AND LINE**



**COMPRESSION LUG TERMINATION (WITH STUD CONNECTION) 500 KCMIL MAX. UNDERGROUND APPLICATION COMPRESSION CONNECTOR SUPPLIED BY UTILITY.**



Cat. No.	Meter Position	Dimensions (in.)			Weight Each	
		H	W	D	lb.	kg
<b>4 JAW</b>						
<b>LEFT-HAND ENTRY</b>	<b>RIGHT-HAND ENTRY</b>					
<b>BS42-V</b>	<b>BS42-VH</b>	2 position	26-1/4	5-5/16	45	20.4
<b>BS43-V</b>	<b>BS43-VH</b>	3 position	35		59	26.8
<b>BS44-V</b>	<b>BS44-VH</b>	4 position	43-3/4		73	33.1
<b>BS45-V</b>	<b>BS45-VH</b>	5 position	52-1/2		87	39.5
<b>BS46-V</b>	<b>BS46-VH</b>	6 position	61-1/4		101	45.9