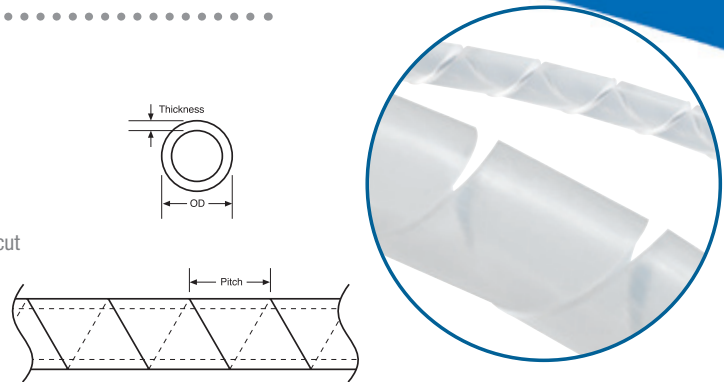


Wire Protection Products

Spiral Wrap

Install with gaps for greater flexibility or butted together for maximum abrasion resistance, insulation and rigidity!

- Packaged in 100 foot reels
- Protects bundles from 0.063 in. to 7 in. (1.6 mm to 177.8 mm) diameters
- Available in three material types
- Also commonly known as reverse cut, left-handed cut or counter-clockwise cut
- For use with cutting tool CC120B (see page C73)
- UL 94 HB Flammability Rating

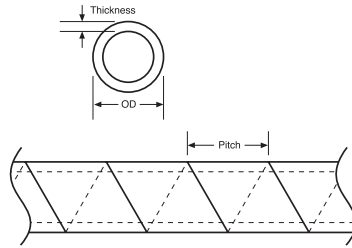
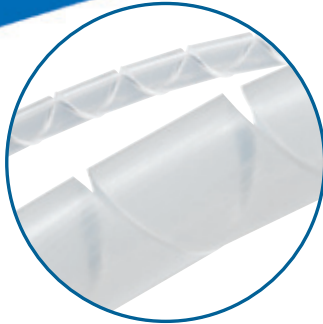


Cat. No.	Material	Outside Diameter		Pitch		Nominal Wall Thickness		Minimum/Maximum Bundle Range				Reel Qty.
		(in.)	(mm)	(in.)	(mm)	(in.)	(mm)	(in.)	(mm)	(in.)	(mm)	
Spiral Wrap												
SRPE-125-9-C	Natural Polyethylene	0.125	3.18	0.210	5.33	0.35	0.89	0.06	1.60	0.50	12.70	1 (100 ft.)
SRPE-187-9-C		0.187	4.75	0.240	6.10	0.040	1.02	0.13	3.18	1.50	38.10	
SRPE-250-9-C		0.250	6.35	0.375	9.53	0.045	1.14	0.19	4.78	2.00	50.80	
SRPE-375-9-C		0.375	9.53	0.438	11.13	0.052	1.32	0.31	7.95	3.00	76.20	
SRPE-500-9-C		0.500	12.70	0.563	14.30	0.062	1.57	0.38	9.53	4.00	101.60	
SRPE-625-9-C		0.625	15.88	0.625	15.88	0.060	1.57	0.63	15.88	4.50	114.30	
SRPE-750-9-C		0.750	15.88	0.750	19.05	0.65	1.65	0.75	19.05	5.00	127.00	
SRPE-1000-9-C		1.000	25.40	1.110	28.19	0.70	17.78	1.00	25.40	7.00	177.80	
SRPE-125-0-C	Weatherable Black Polyethylene	0.125	3.18	0.210	5.33	0.35	0.89	0.06	1.60	0.50	12.70	
SRPE-187-0-C		0.187	4.75	0.240	6.10	0.040	1.02	0.13	3.18	1.50	38.10	
SRPE-250-0-C		0.250	6.35	0.375	9.53	0.045	1.14	0.19	4.78	2.00	50.80	
SRPE-375-0-C		0.375	9.53	0.438	11.13	0.052	1.32	0.31	7.95	3.00	76.20	
SRPE-500-0-C		0.500	12.70	0.563	14.30	0.062	1.57	0.38	9.53	4.00	101.60	
SRPE-625-0-C		0.625	15.88	0.625	15.88	0.060	1.57	0.63	15.88	4.50	114.30	
SRPE-750-0-C		0.750	15.88	0.750	19.05	0.065	1.65	0.75	19.05	5.00	127.00	
SRPE-1000-0-C		1.000	25.40	1.110	28.19	0.070	1.78	1.00	25.40	7.00	177.80	
SRNY-187-9-C	Natural Nylon 6/6	0.190	4.75	0.240	6.10	0.025	0.64	0.13	3.18	1.50	38.10	
SRNY-250-9-C		0.250	6.35	0.375	9.53	0.030	0.76	0.19	4.78	2.00	50.80	
SRNY-375-9-C		0.375	9.53	0.438	11.13	0.040	0.89	0.31	7.95	3.00	76.20	
SRNY-500-9-C		0.500	12.70	0.563	14.30	0.040	0.89	0.38	9.53	4.00	101.60	

Sold in 100-ft. rolls.

<p>Polyethylene</p> <p>Available in natural and weatherable black.</p> <p>For general indoor use to 50°C (122°F). Material is flexible and easy to work with.</p>	<p>Weatherable Polyethylene</p> <p>Available in black only.</p> <p>Designed to resist ultraviolet light in outdoor applications.</p>	<p>Flame-Retardant Polyethylene</p> <p>Available in white only.</p> <p>Material is UL 94 V-0 rated. More economical and less rigid than nylon.</p>	<p>Nylon 6/6</p> <p>Available in natural only.</p> <p>Offers highest abrasion resistance and rigidity. Self-extinguishing to UL 94 HB and a UL Recognized Component.</p>	<p>Fluoropolymer</p> <p>Available in opaque colour.</p> <p>Excellent resistance to harsh environments 170°C (338°F) max operating temperature.</p>
--	---	---	---	---

Wire Protection Products



Spiral Wrap

Perfect for protection of bundles from 0.063 in. to 7 in. diameters

- Install with gaps for greater flexibility or butted together for maximum abrasion resistance, insulation, and rigidity
- Available in three materials
- Also known as right-hand cut or clockwise cut
- Use cutting tool CC120B (see page C73)

Cat. No.	Material	Outside Diameter		Pitch		Nominal Wall Thickness		Minimum/Maximum Bundle Range				UL Flammability	Reel Qty.
		(in.)	(mm)	(in.)	(mm)	(in.)	(mm)	(in.)	(mm)	(in.)	(mm)		
Forward Cut Spiral Wrap													
SRPE-125F-9-C	Natural Polyethylene	0.19	4.75	0.24	6.10	0.04	1.02	0.06	1.60	0.50	12.70	94 HB	1 (100 ft.)
SRPE-187F-9-C		0.19	4.75	0.24	6.10	0.04	1.02	0.13	3.18	1.50	38.10		
SRPE-250F-9-C		0.25	6.35	0.38	9.53	0.05	1.14	0.19	4.78	2.00	50.80		
SRPE-375F-9-C		0.38	9.53	0.44	11.13	0.05	1.32	0.31	7.95	3.00	76.20		
SRPE-500F-9-C		0.50	12.70	0.56	14.30	0.06	1.57	0.38	9.53	4.00	101.60		
SRPE-625F-9-C		0.63	15.88	0.63	15.88	0.06	1.57	0.63	15.88	4.50	114.30		
SRPE-750F-9-C		0.75	19.05	0.75	19.05	0.07	1.65	0.75	19.05	5.00	127.00		
SRPE-1000F-9-C		1.00	25.40	1.11	28.19	0.07	1.78	1.00	25.40	7.00	177.80		
SRPE-125F-0-C	Weatherable Black Polyethylene	0.19	4.75	0.24	6.10	0.04	1.02	0.06	1.60	0.50	12.70		
SRPE-187F-0-C		0.19	4.75	0.24	6.10	0.04	1.02	0.13	3.18	1.50	38.10		
SRPE-250F-0-C		0.25	6.35	0.38	9.53	0.05	1.14	0.19	4.78	2.00	50.80		
SRPE-375F-0-C		0.38	9.53	0.44	11.13	0.05	1.32	0.31	7.95	3.00	76.20		
SRPE-500F-0-C		0.50	12.70	0.56	14.30	0.06	1.57	0.38	9.53	4.00	101.60		
SRPE-625F-0-C		0.63	15.88	0.63	15.88	0.06	1.57	0.63	15.88	4.50	114.30		
SRPE-750F-0-C		0.63	15.88	0.75	19.05	0.07	1.65	0.75	19.05	5.00	127.00		
SRPE-1000F-0-C		1.00	25.40	1.11	28.19	0.07	1.78	1.00	25.40	7.00	177.80		
SRFR-125F-WH-C	White Flame-Retardant Polyethylene	0.19	4.75	0.24	6.10	0.04	1.02	0.13	3.18	1.50	38.10	94 HB	
SRFR-187F-WH-C		0.19	4.75	0.24	6.10	0.04	1.02	0.19	4.78	2.00	50.80		
SRFR-250F-WH-C		0.25	6.35	0.38	9.53	0.05	1.14	0.31	7.95	3.00	76.20		
SRFR-375F-WH-C		0.38	9.53	0.44	11.13	0.05	1.32	0.38	9.53	4.00	101.60		
SRFR-500F-WH-C		0.50	12.70	0.56	14.30	0.06	1.57	0.19	2.00	2.00	50.80		
SRTL-250F-9-C	Fluoropolymer	0.25	6.35	0.38	9.53	0.05	1.32	0.31	3.00	3.00	76.20		
SRTL-500F-9-C		0.50	12.70	0.56	14.30	0.06	1.57	0.38	4.00	4.00	101.60		

Polyethylene

Available in natural and weatherable black.

For general indoor use to 50°C (122°F). Material is flexible and easy to work with.

Weatherable Polyethylene

Available in black only. Designed to resist ultraviolet light in outdoor applications.

Flame-Retardant Polyethylene

Available in white only. Material is UL 94 V-0 rated. More economical and less rigid than nylon.

Nylon 6/6

Available in natural only.

Offers highest abrasion resistance and rigidity. Self-extinguishing to UL 94 HB and a UL Recognized Component.

Fluoropolymer

Available in opaque colour.

Excellent resistance to harsh environments 170°C (338°F) max operating temperature.