

BQ2 Series

200 A 600 V; Standard Enclosure

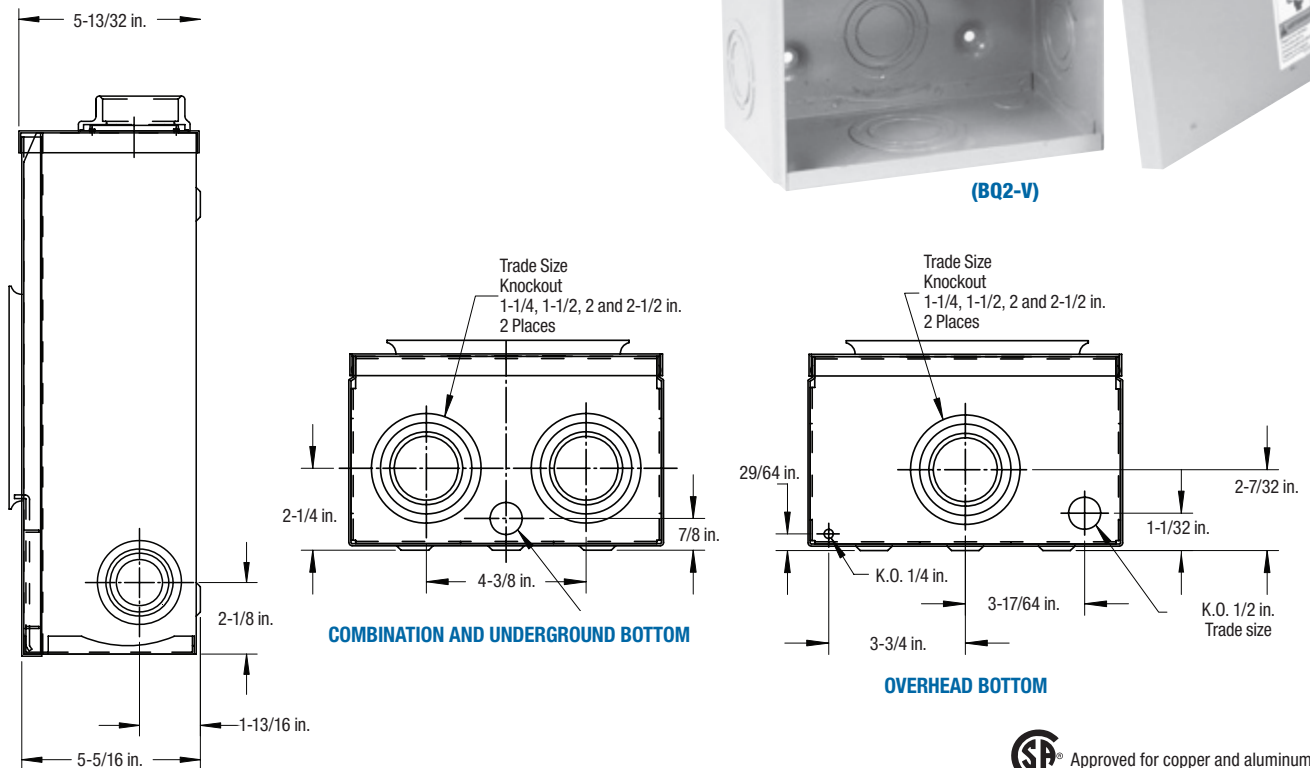
Product Specifications

- Conductor range: 6 AWG–250 kcmil
- Aluminum tunnel type connectors for both load and line sides
- For overhead, underground and combination overhead/underground
- Supplied with screw type ring
- Weatherproof Type 3R enclosure
- **Primarily used in: All provinces**

Note: Supply from an underground network often requires use of stud type connector. Consult your local utility.



(BQ2-V)



Approved for copper and aluminum

Cat. No	Description	Dimensions (in.)			Weight Each	
		H	W	D	lb.	kg
4 JAW						
BQ2-V	Overhead, hub opening	15-5/8	8-47/64	5-13/32	12	5.4
BQ2-1 1/2 V	Overhead, hub opening c/w 1-1/2 in. hub					
BQ2-2V	Overhead, hub opening c/w 2 in. hub					
BQ2-TV	Underground					
BQ2-TCV	Combination, overhead-underground					
BQ2-22VNH	Overhead, twin hub opening					
BQ2-22V	Overhead, twin hub opening c/w 2 in. hubs					
FACTORY INSTALLED ACCESSORIES						
Include: -GN	Ground lug on neutral					
-5	5 th jaw standard capacity					
-6	5 th jaw full capacity, 6 o'clock position					

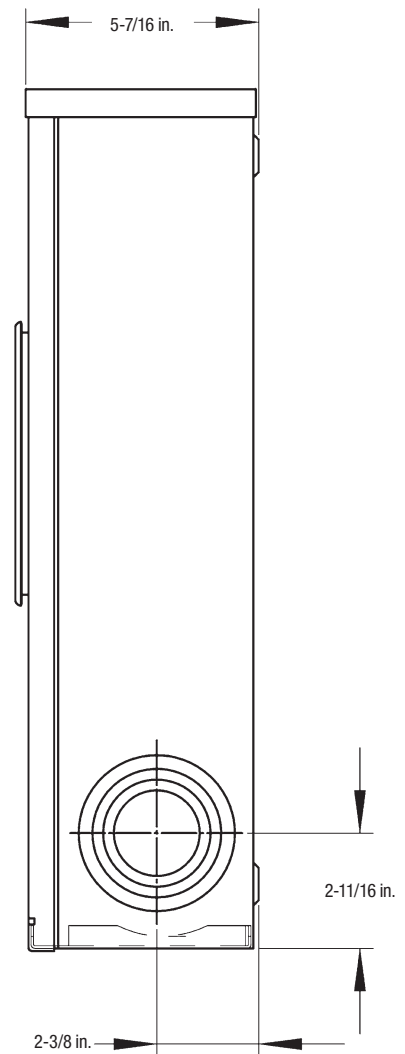
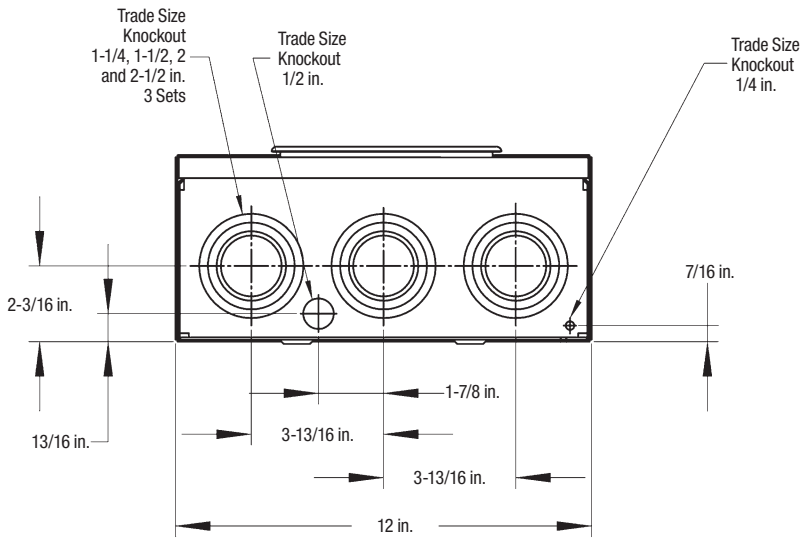


BP2-TV

200 A 600 V; Standard Enclosure

Product Specifications

- Conductor range: 6 AWG–250 kcmil
- Aluminum tunnel type connectors for both load and line sides
- For underground service only
- Supplied with screw type ring
- Weatherproof Type 3R enclosure
- **Primarily used in: Ontario**



 Approved for copper or aluminum

Cat. No.	Description	Dimensions (in.)			Weight Each	
		H	W	D	lb.	kg
BP2-TV	Underground	20	12	5-7/16	16.5	7.48

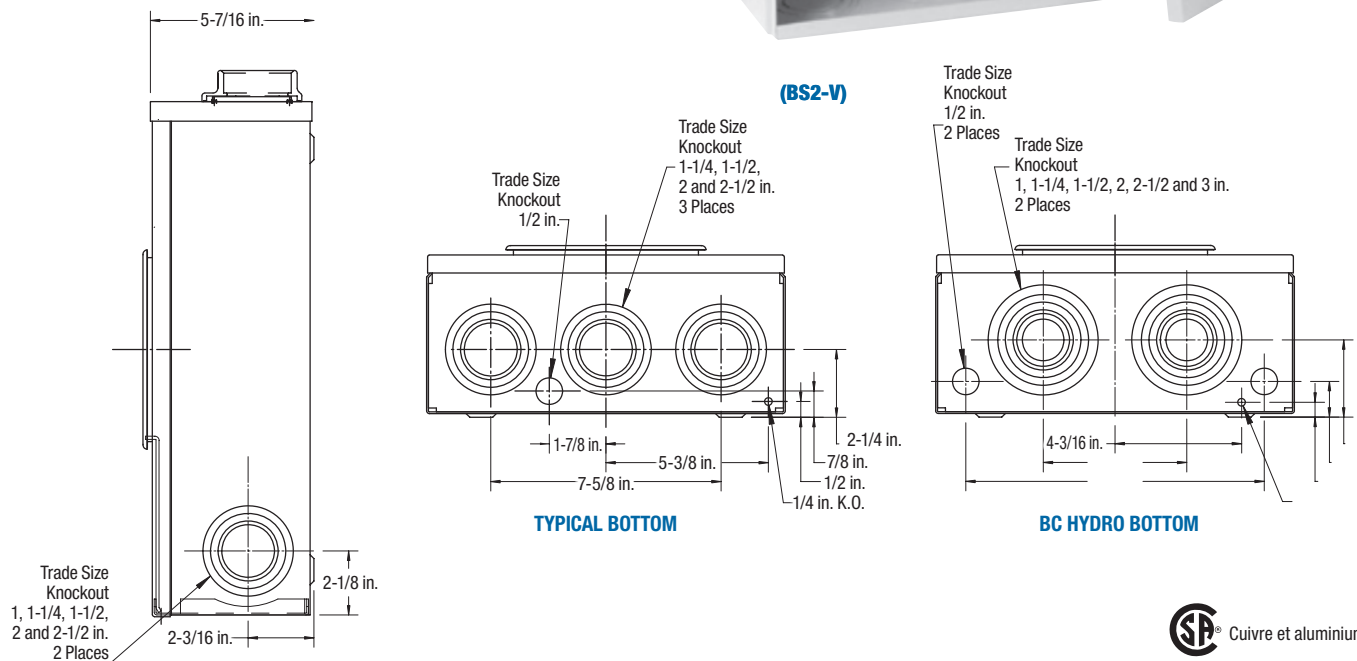
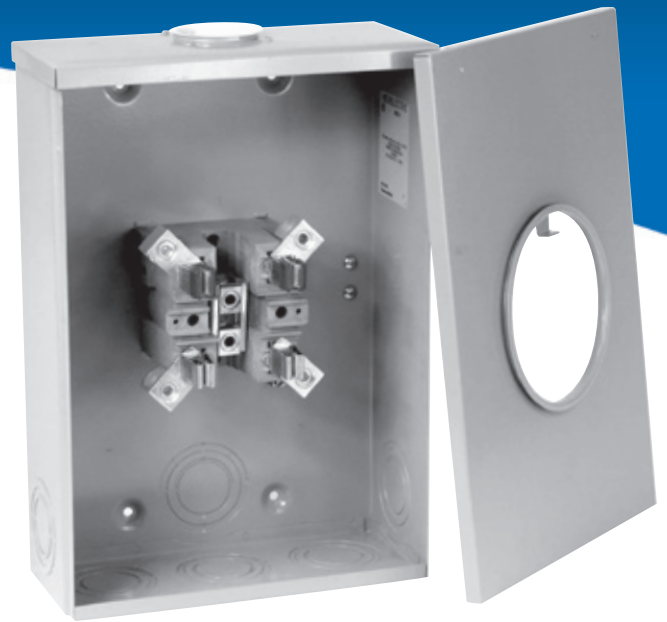
BS2 Series

200 A 600 V; Oversize Enclosure

Product Specifications

- Conductor range: 6 AWG-250 kcmil
- Aluminum tunnel type connectors for both load and line sides
- For overhead, underground and combination overhead/underground
- Supplied with screw type ring
- Weatherproof Type 3R enclosure
- **Primarily used in: B.C., AB, Sask., Man., Ont., N.S.**

NOTE: Supply from an underground network often requires use of stud type connector. Consult your local utility.



Cat. No.	Description	Dimensions (in.)			Weight Each	
		H	W	D	lb.	kg
4 JAW						
BS2-V	Overhead, hub opening	17-1/8	12	5-7/16	14	6.3
BS2-1 1/2 V	Overhead, hub opening c/w 1-1/2 in. hub					
BS2-2V	Overhead, hub opening c/w 2 in. hub					
BS2-TV	Underground					
BS2-TCV	Combination, overhead-underground					
BS2-TCVBC	Combination overhead-underground for British Columbia only					
BS2-22VNH	Overhead, twin hub opening	17-1/8				
BS2-22V	Overhead, twin hub opening c/w 2 in. hubs					
BS2-9V	Overhead, hub opening c/w 5 th jaw, 9 o'clock & insulated neutral					
FACTORY INSTALLED ACCESSORIES						
Include: -5	5 th jaw, standard capacity, 9 o'clock position					
-6	5 th jaw, full capacity, 6 o'clock position					
-9	5 th jaw, full capacity, 9 o'clock position					
-IN	Insulated neutral					
-GN	Ground lug on neutral					



(BS2-TCV-KIT2U)

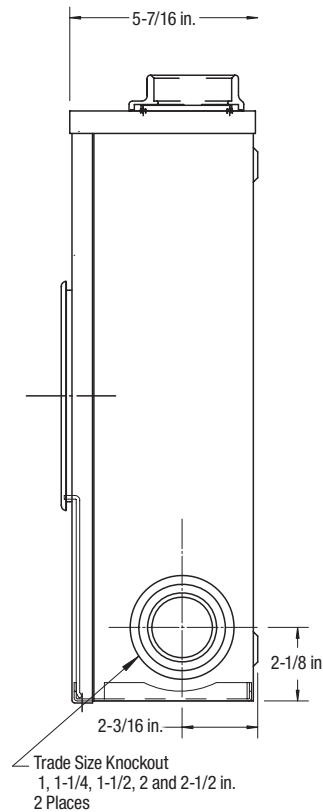
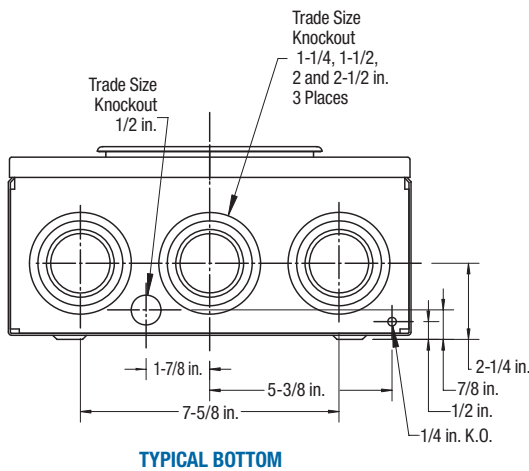
BS2 Series Kit

200 A 600 V; Oversize Enclosure with PVC Accessories

Product Specifications

- Conductor range: 6 AWG-250 kcmil
- Aluminum tunnel type connectors for both load and line sides
- For overhead, underground and combination
- Supplied with screw type ring
- Weatherproof Type 3R enclosure
- **Primarily used in: Ontario only**

Note: Supply from an underground network often requires use of stud type connector. Consult your local utility.



 Approved for copper or aluminum

Cat. No.	Description	Qty.
KIT		
BS2-TCV-KIT2U	Kit – Meter socket with PVC accessories	
Consists of		
BS2-TCV	200 A meter socket	
E943J	2 in. terminal adaptor	1
E986J	2 in. LB access fitting	
E995J	2 in. meter offsets	
E997JC	2 in. clamps	2
UA9AJCB-CTN	2 in. elbow 90 degree	1
CI1716	2 in. nut	3
PH20	2 in. hub	1

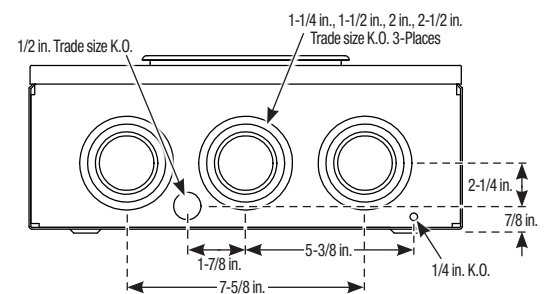
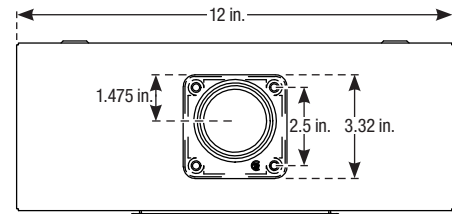
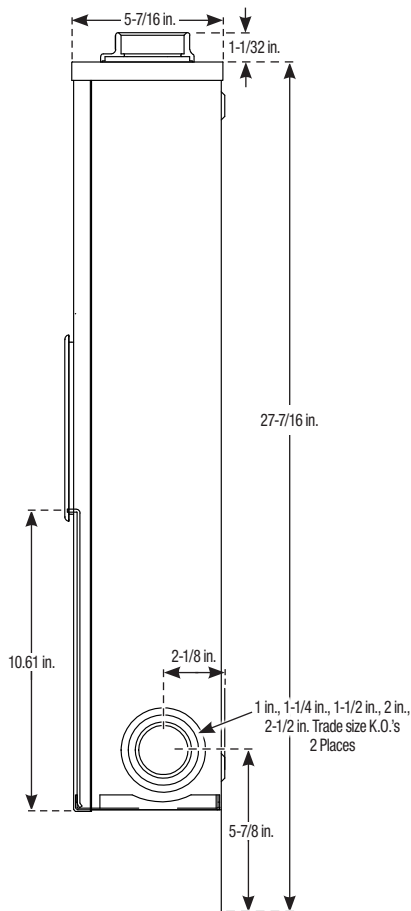
BS2-TCVFA

200 A, 120/240; Single Phase Service

Product Specifications

- Line: #6 AWG to 350 kcmil, Load 2 x #6 AWG – 4/0
- Tunnel type connectors for both load and line sides
- For underground and above ground service
- Weatherproof Type 3R enclosure
- Designed and manufactured in Canada
- **Primarily used in: All provinces**
Manitoba Hydro approved for overhead only

Application: When distance is a factor larger conductors require larger connectors.



 Approved for copper and aluminum

Cat. No.	Description	Dimensions (in.)			Weight Each	
		H	W	D	lb.	kg
4 JAW						
BS2-TCVFA	Combination overhead and underground 200 A service	27-7/16	12	5-7/16	14	6.3



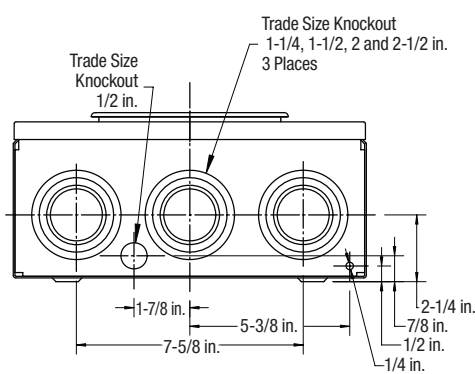
(BS2L-TV)

BS2L Series

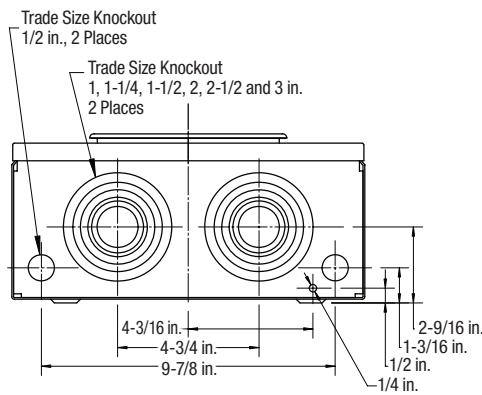
200 A 600 V; Oversize Enclosure Lay-In Lug

Product Specifications

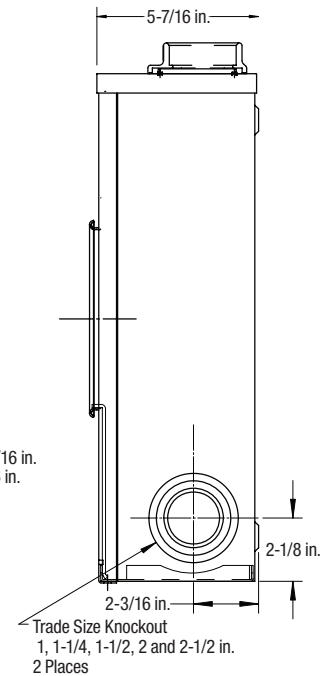
- Same as BS2 Series with the exception that lay-in type connectors are provided
- Conductor range: 6 AWG-250 kcmil
- Aluminum lay-in type connectors for both load and line sides
- For overhead, underground and combination overhead/underground
- Supplied with screw type ring
- Weatherproof Type 3R enclosure
- **Primarily used in: B.C., Ont.**



TYPICAL BOTTOM



BC HYDRO BOTTOM



Approved for copper or aluminum

Cat. No.	Description	Dimensions (in.)			Weight Each	
		H	W	D	lb.	kg
4 JAW						
BS2L-TV	200 A underground with lay-in lugs	17-1/8	12	5-7/16	16	7.2
BS2L-TCV	200 A over/under combination with lay-in lugs					
BS2L-TCVBCR	200 A over/under combination with lay-in lugs (BC Hydro)					
FACTORY INSTALLED ACCESSORIES						
Include: -5	5 th jaw standard capacity					
-6	5 th jaw full capacity, 6 o'clock position					
-9	5 th jaw full capacity, 9 o'clock position					
-IN	Insulated neutral					

BS2M Series

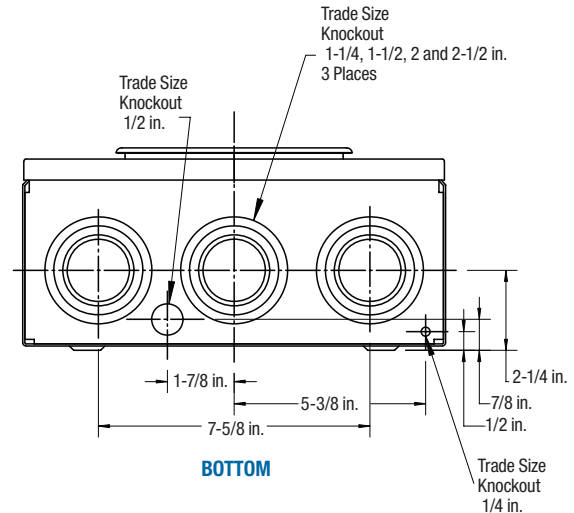
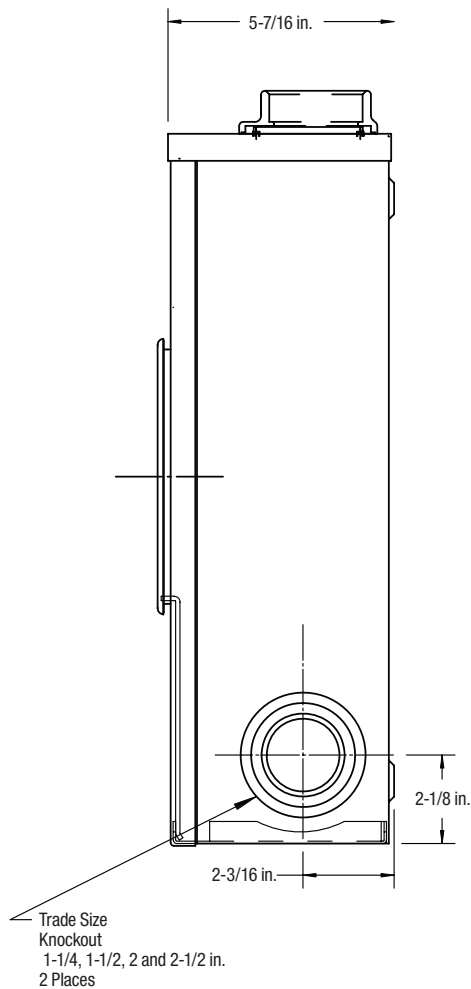
200 A 600 V; Oversize Enclosure,
Subfeed on Load Side

Product Specifications

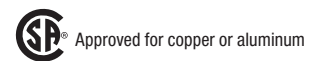
- Conductor range: Line: 6 AWG-250 kcmil, Load: 12-1/0 AWG
- Aluminum tunnel type connector for line side
- For overhead service only
- Dual lug subfeed for load side
- Supplied with screw type ring
- Weatherproof Type 3R enclosure
- **Primarily used in: All provinces**



(BS2M-V)



BOTTOM



Cat. No.	Description	Dimensions (in.)			Weight Each	
		H	W	D	lb.	kg
4 JAW						
BS2M-V	Overhead, hub opening	17-1/8	12	5-7/16	15	6.8



MO2 Series

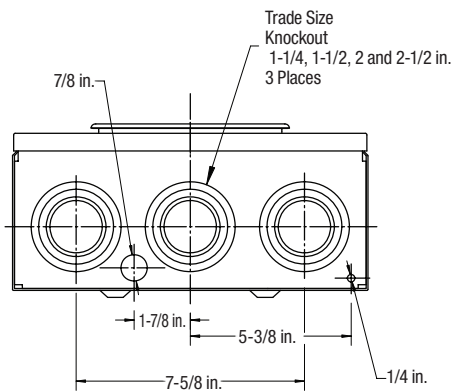
200 A 600 V; Underground Only

Product Specifications

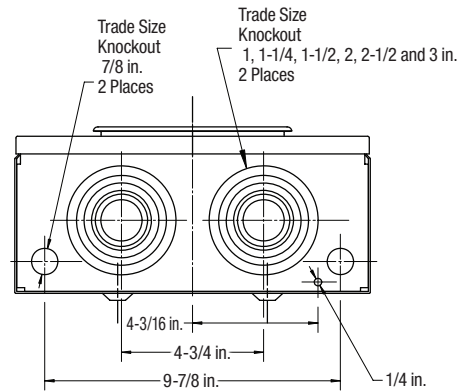
- Conductor Range: Line: Single 1/2 in. studs to accommodate compression lugs 350 kcmil max. (supplied by utility), Load: 6 AWG-250 kcmil
- For underground service only
- Aluminum tunnel type connectors for load side, 1/2 in. studs on line side
- Supplied with screw type ring
- Weatherproof Type 3R enclosure
- Primarily used in: Sask., Man., Ont., Que.



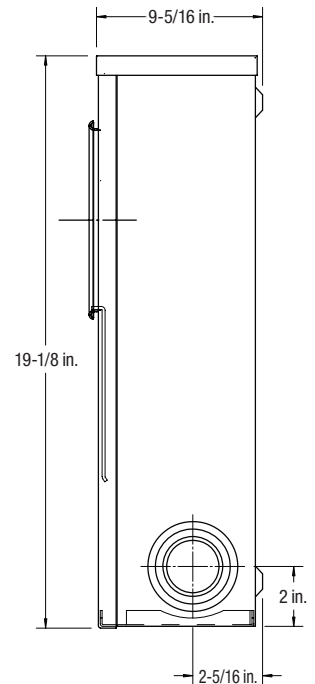
(MO2-V)



MO2-V0 BOTTOM



MO2-V BOTTOM



 Approved for copper or aluminum

Cat. No.	Description	Dimensions (in.)			Weight Each	
		H	W	D	lb.	kg
4 JAW						
MO2-V	Underground 1/2 in. studs	19-1/8	12	9-5/16	18	8.1
MO2-V0	Underground 1/2 in. studs for Ontario					
FACTORY-INSTALLED ACCESSORIES						
Include: -M	2/0 AWG subfeed on load side					



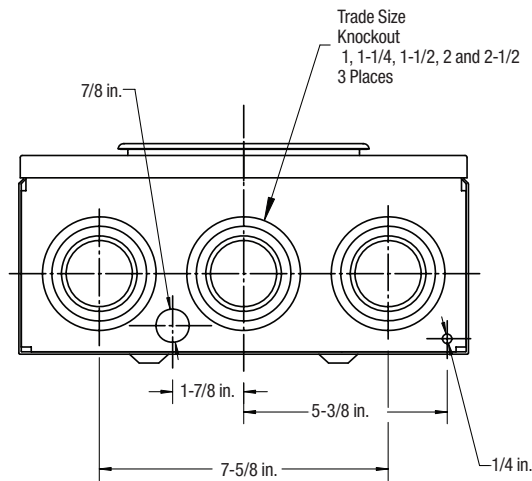
(M02-V0-KIT2U)

MO2 Series Kit

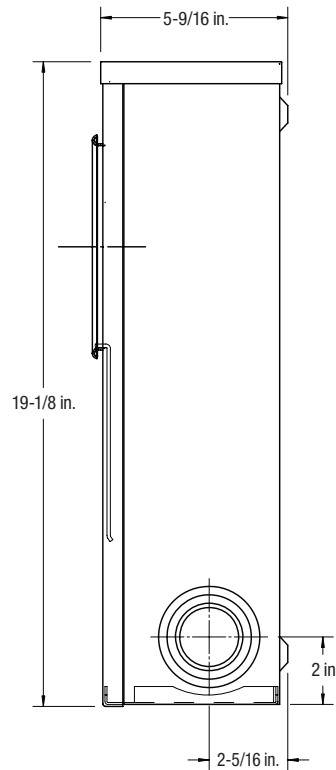
200 A 600 V; Underground Only with PVC Accessories


Product Specifications

- Conductor range: Line: Single 1/2 in. studs to accommodate compression lugs (supplied by utility), Load: 6 AWG-250 kcmil
- For underground service only
- Aluminum tunnel type connectors for load side
- Supplied with screw type ring
- Weatherproof Type 3R enclosure
- **Primarily used in: Ontario Only**



M02-V0 BOTTOM



 Approved for copper or aluminum

Cat. No.	Description	Qty.
KIT		
M02-V0-KIT2U	Kit – Meter socket with PVC accessories	
Consists of		
M02-V0	200 A Meter Socket	1
C11716	2 in. Locknut	3
E943J	2 in. Male Adaptor	1
E977JC	2 in. Pipe Strap	2
E986J	2 in. Conduit Bodies – LB Type	1
E995J	2 in. Meter Offsets	2
UA9AJCB-UPC	2 in. 90° Elbow	1

MO2 Series Kit

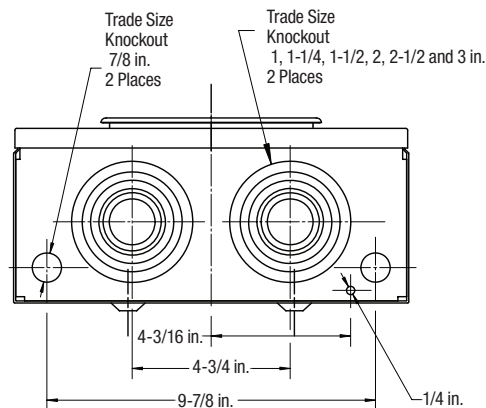
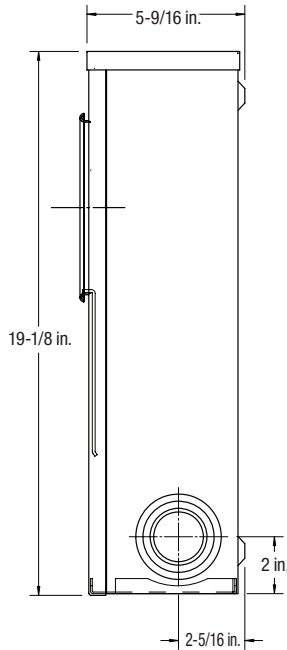
200 A 600 V; Underground Only with PVC Accessories

Product Specifications

- Conductor range: Line: Single 1/2 in. studs to accommodate compression lugs (supplied by utility), Load: 6 AWG-250 kcmil
- For underground service only
- Aluminum tunnel type connectors for load side, 1/2 in. studs on line side
- Supplied with screw type ring
- Weatherproof Type 3R enclosure
- **Primarily used in: Quebec Only**



(M02-V-KIT1-1/4U)



M02-V BOTTOM

 Approved for copper or aluminum

Cat. No.	Description	Qty.
KIT		
M02-V-KIT1-1/4U	Meter socket with PVC accessories	
Consists of		
M02-V	200 A Meter Socket	1
CE942RL	3 in. PVC/DB2 Adaptor	1
CH1710	1-1/4 in. nut	2
CH1724	3 in. nut	1
CI-DUCT-1	Duct Seal	1
E943G	1-1/4 in. Male Adaptor	2
E943L	3 in. Male Adaptor	1
E945L	3 in. Expansion Fitting	
E977GC	1-1/4 in. Pipe Strap	
E977LC-CAR	3 in. Pipe Strap	
E986G	1-1/4 in. Conduit Bodies – LB Type	
UA9AGCB-UPC	1-1/4 in. 90° Elbow	

Cat. No.	Description	Qty.
KIT		
M02-V-KIT2U	Meter socket with PVC accessories	
Consists of		
M02-V	200 A Meter Socket	1
CE942RL	3 in. PVC/DB2 Adaptor	1
CH1716	2 in. nut	2
CH1724	3 in. nut	1
CI-DUCT-1	Duct Seal	1
E943J	2 in. Male Adaptor	2
E943L	3 in. Male Adaptor	1
E945L	3 in. Expansion Fitting	
E977JC	2 in. Pipe Strap	
E977LC-CAR	3 in. Pipe Strap	
E986J	2 in. Conduit Bodies – LB Type	
UA9AJCB-UPC	2 in. 90° Elbow	