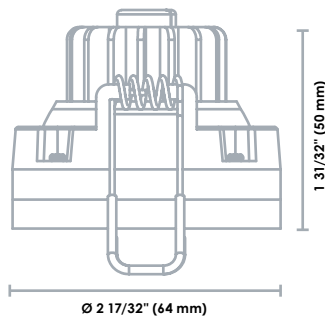
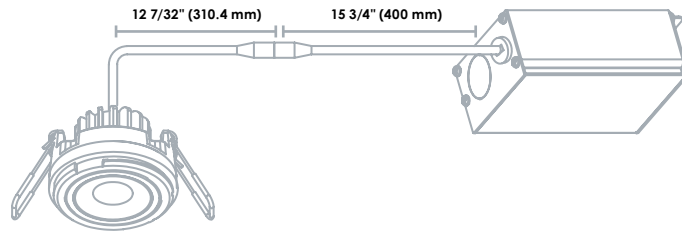


# Dimensions



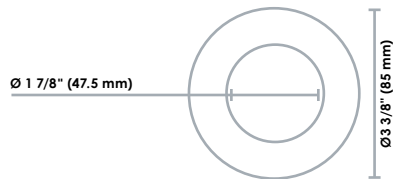
Module



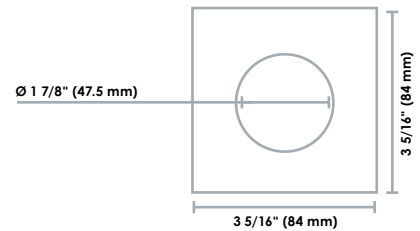
LED Module and Driver



Ø 2 3/4" (70 mm)



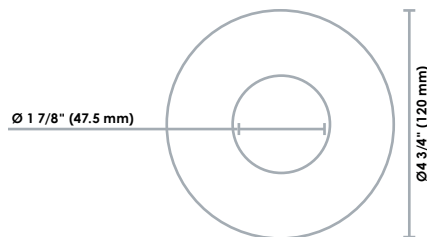
3" Trim



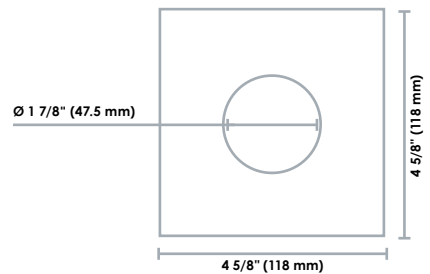
3" Trim



Ø 2 3/4" - 4 1/4" (70-108 mm)



4" Trim



4" Trim

## Accessories

Order Code	Description	Opening diameter (in.)	Type	Case qty (master)
66020	ACC/MPLATE/2.75IN/SQR/STD	2 3/4	Square mounting plate	96
66021	ACC/MPLATE/2.75IN/ADJ/STD	2 3/4	Adjustable mounting plate	24
66819	ACC/MPLATE/2.75IN/HANG.BARS/STD	2 3/4	Mounting plate with hanger bars	25
64264	LPDL/ACC/6FT/EXTCABLE/STD	-	6' extension cord	96
66142	ACC/3/VAPOR BARRIER/STD	3 5/8	Vapor barrier extender	50



AIRTIGHT



DAMP



DIMMABLE



IC RATED



QUICK CONNECT



WARM DIM



5 YEARS WARRANTY



Lumen values are derived from photometric testing. For a complete list of compatible dimmers and ENERGY STAR qualified products, please visit [www.standardpro.com](http://www.standardpro.com)

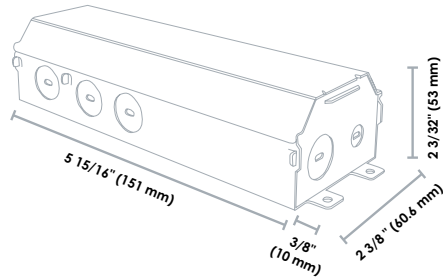


# LED Modules

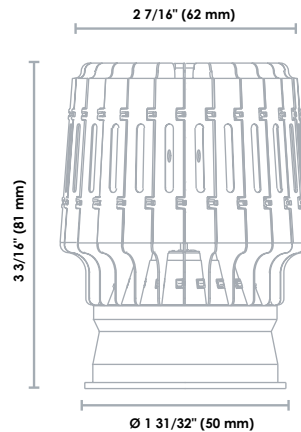
Order code	Description	Watts (W)	Volts (VAC)	Colour temp. (K)	Lumen output (lm)	CRI	Life L70 (hrs)	Beam angle (°)	CBCP (cd)	Traditional equivalent MR16 (W)	Case qty (master)
<b>IC (can be used in insulated ceiling)</b>											
66695	LUMEINA/MOD/IC/6W/27K/22/STD	6	120	2 700	750	90	50 000	22	2 998	50	20
66696	LUMEINA/MOD/IC/6W/27K/36/STD	6	120	2 700	750	90	50 000	36	1 731	50	20
66697	LUMEINA/MOD/IC/6W/27K/60/STD	6	120	2 700	750	90	50 000	60	1 039	50	20
64706	LUMEINA/MOD/IC/6W/30K/22/STD	6	120	3 000	750	90	50 000	22	3 051	50	20
64707	LUMEINA/MOD/IC/6W/30K/36/STD	6	120	3 000	750	90	50 000	36	1 763	50	20
64708	LUMEINA/MOD/IC/6W/30K/60/STD	6	120	3 000	750	90	50 000	60	1 078	50	20
66954	LUMEINA/MOD/IC/6W/35K/22/STD	6	120	3 500	750	92	50 000	22	3 533	50	20
66955	LUMEINA/MOD/IC/6W/35K/36/STD	6	120	3 500	750	92	50 000	36	1 843	50	20
66956	LUMEINA/MOD/IC/6W/35K/60/STD	6	120	3 500	750	92	50 000	60	1 190	50	20
66957	LUMEINA/MOD/IC/6W/40K/22/STD	6	120	4 000	750	92	50 000	22	3 558	50	20
66958	LUMEINA/MOD/IC/6W/40K/36/STD	6	120	4 000	750	91	50 000	36	1 867	50	20
66959	LUMEINA/MOD/IC/6W/40K/60/STD	6	120	4 000	750	91	50 000	60	1 121	50	20
<b>Non-IC (not for use in insulated ceiling)</b>											
64709	LUMEINA/MOD/9W/30K/22/STD	9	120	3 000	950	90	50 000	22	3 524	50	20
64710	LUMEINA/MOD/9W/30K/36/STD	9	120	3 000	950	90	50 000	36	2 121	50	20
64711	LUMEINA/MOD/9W/30K/60/STD	9	120	3 000	950	90	50 000	60	1 305	50	20

## LED Drivers

	System watts (W)	Max. load (W)	Input Volts (VAC)	Output volts (VDC)	Input current (mA)
Lumeina 6 W	9	9	120	30-38	200
Lumeina 9 W	12	12	120	30-38	260



LED Driver  
6 W  
and 9 W



Lumeina™  
module  
6 W and 9 W

## Accessories

Order code	Description	Opening diameter (in.)	Type	Case qty (master)
66020	ACC/MPLATE/2.75IN/SQR/STD	2 3/4	Square mounting plate	96
66021	ACC/MPLATE/2.75IN/ADJ/STD	2 3/4	Adjustable mounting plate	24
66819	ACC/MPLATE/2.75IN/HANG.BARS/STD	2 3/4	Mounting plate with hanger bars	25
66046	ACC/MPLATE/3IN/SQR/STD	3	Square mounting plate	96
66142	ACC/3/VAPOR BARRIER/STD	3 5/8	Vapor barrier extender	50
66048	ACC/MPLATE/3.5IN/SQR/STD	3 1/2	Square mounting plate	96
66047	ACC/MPLATE/3.25IN/SQR/STD	3 1/4	Square mounting plate	96
66054	ACC/MPLATE/3.25IN/ADJ/STD	3 1/4	Adjustable mounting plate	24
62673	ACC/MPLATE/3.25IN/HANG.BARS/STD	3 1/4	Mounting plate with hanger bars	20
66050	ACC/MPLATE/3.75IN/SQR/STD	3 3/4	Square mounting plate	96
62771	ACC/MPLATE/3.75IN/HANG.BARS/STD	3 3/4	Mounting plate with hanger bars	20
66143	ACC/4/VAPOR BARRIER/STD	4 1/4	Vapor barrier extender	50
62672	ACC/INSULATED BOX/3_4.5/STD	3 to 4 1/2	Insulated box with hanger bars	4



Lumen values are derived from photometric testing. For a complete list of compatible dimmers, please visit [www.standardpro.com](http://www.standardpro.com). Lumeina 9 W can be used in insulated ceilings only when combined with the insulated box (62672).

