

Standard Product **Solid Cover**

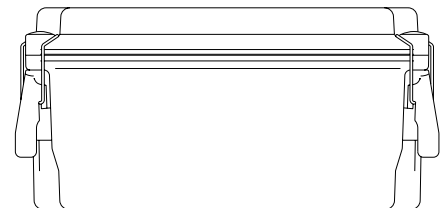
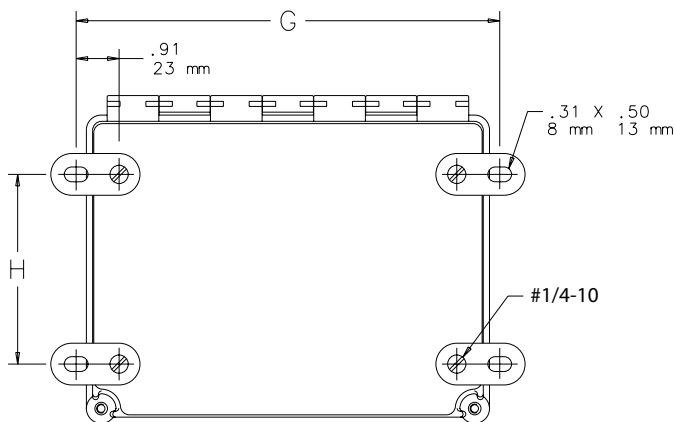
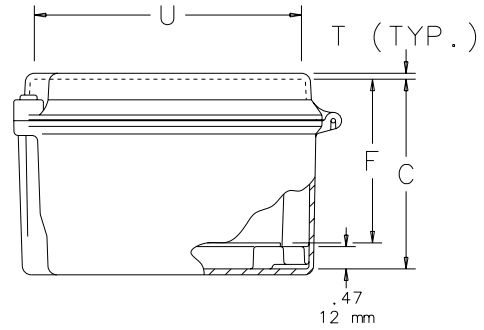
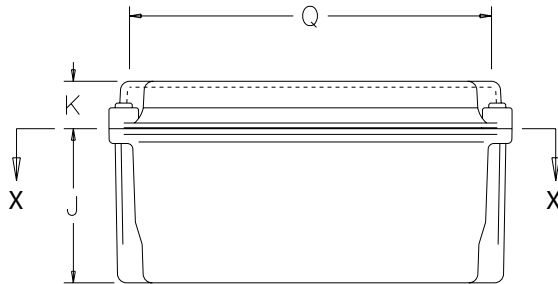
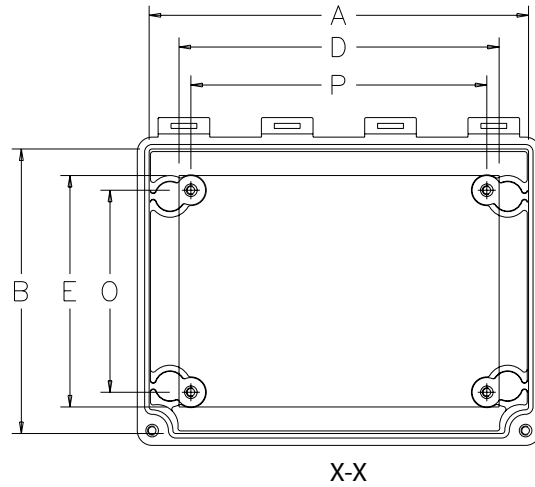
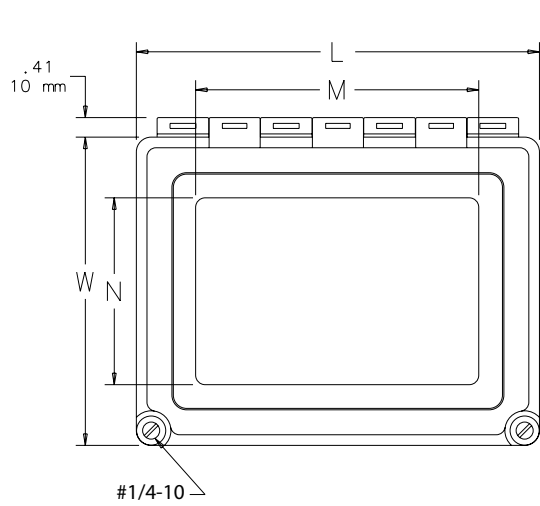
| Catalog Number | AxBxC in./mm          | Type          | Steel Panel | Alum. Panel | Panel Size D x E in./mm    | Mounting G x H in./mm      | Overall L x W in./mm       | F in./mm    | J in./mm    | K in./mm   | O in./mm     | P in./mm     | Q in./mm     | T in./mm  | U in./mm     |
|----------------|-----------------------|---------------|-------------|-------------|----------------------------|----------------------------|----------------------------|-------------|-------------|------------|--------------|--------------|--------------|-----------|--------------|
| A664CHSCFG     | 6.00 x 6.00 x 4.00    | Screw Cover   | A6P6        | A6P6AL      | 4.88 x 4.88<br>124 x 124   | 6.94 x 4.00<br>176 x 102   | 6.50 x 6.50<br>165 x 165   | 3.45<br>88  | 3.25<br>83  | 1.00<br>25 | 4.25<br>108  | 4.25<br>108  | 5.64<br>143  | 0.12<br>3 | 5.64<br>143  |
|                | 152 x 152 x 102       | Quick Release | A6P6        | A6P6AL      | 4.88 x 4.88<br>124 x 124   | 6.94 x 4.00<br>176 x 102   | 6.50 x 6.50<br>165 x 165   | 3.45<br>88  | 3.25<br>83  | 1.00<br>25 | 4.25<br>108  | 4.25<br>108  | 5.64<br>143  | 0.12<br>3 | 5.64<br>143  |
| A864CHSCFG     | 8.00 x 6.00 x 4.00    | Screw Cover   | A8P6        | A8P6AL      | 6.75 x 4.88<br>171 x 124   | 8.94 x 4.00<br>227 x 102   | 8.50 x 6.50<br>216 x 165   | 3.45<br>88  | 3.25<br>83  | 1.00<br>25 | 4.25<br>108  | 6.25<br>159  | 7.64<br>194  | 0.12<br>3 | 5.64<br>143  |
|                | 203 x 152 x 102       | Quick Release | A8P6        | A8P6AL      | 6.75 x 4.88<br>171 x 124   | 8.94 x 4.00<br>227 x 102   | 8.50 x 6.50<br>216 x 165   | 3.45<br>88  | 3.25<br>83  | 1.00<br>25 | 4.25<br>108  | 6.25<br>159  | 7.64<br>194  | 0.12<br>3 | 5.64<br>143  |
| A1086CHSCFG    | 10.00 x 8.00 x 6.00   | Screw Cover   | A10P8       | A10P8AL     | 8.75 x 6.88<br>222 x 175   | 10.94 x 6.00<br>278 x 152  | 10.50 x 8.50<br>267 x 216  | 5.45<br>138 | 4.94<br>125 | 1.31<br>33 | 6.25<br>159  | 8.25<br>210  | 9.61<br>244  | 0.12<br>3 | 7.61<br>193  |
|                | 254 x 203 x 152       | Quick Release | A10P8       | A10P8AL     | 8.75 x 6.88<br>222 x 175   | 10.94 x 6.00<br>278 x 152  | 10.50 x 8.50<br>267 x 216  | 5.45<br>138 | 4.94<br>125 | 1.31<br>33 | 6.25<br>159  | 8.25<br>210  | 9.61<br>244  | 0.12<br>3 | 7.61<br>193  |
| A12106CHSCFG   | 12.00 x 10.00 x 6.00  | Screw Cover   | A12P10      | A12P10AL    | 10.75 x 8.88<br>273 x 226  | 12.94 x 8.00<br>329 x 203  | 12.50 x 10.50<br>318 x 267 | 5.45<br>138 | 4.69<br>119 | 1.56<br>40 | 8.25<br>210  | 10.25<br>260 | 11.58<br>294 | 0.12<br>3 | 9.58<br>243  |
|                | 305 x 254 x 152       | Quick Release | A12P10      | A12P10AL    | 10.75 x 8.88<br>273 x 226  | 12.94 x 8.00<br>329 x 203  | 12.50 x 10.50<br>318 x 267 | 5.45<br>138 | 4.69<br>119 | 1.56<br>40 | 8.25<br>210  | 10.25<br>260 | 11.58<br>294 | 0.12<br>3 | 9.58<br>243  |
| A14128CHSCFG   | 14.00 x 12.00 x 8.00  | Screw Cover   | A14P12      | A14P12AL    | 12.75 x 10.88<br>324 x 276 | 14.94 x 10.00<br>379 x 254 | 14.55 x 12.55<br>370 x 319 | 7.45<br>189 | 6.50<br>165 | 1.81<br>46 | 10.25<br>260 | 12.25<br>311 | 13.59<br>345 | 0.15<br>4 | 11.59<br>294 |
|                | 356 x 305 x 203       | Quick Release | A14P12      | A14P12AL    | 12.75 x 10.88<br>324 x 276 | 14.94 x 10.00<br>379 x 254 | 14.55 x 12.55<br>370 x 319 | 7.45<br>189 | 6.50<br>165 | 1.81<br>46 | 10.25<br>260 | 12.25<br>311 | 13.59<br>345 | 0.15<br>4 | 11.59<br>294 |
| A16148CHSCFG   | 16.00 x 14.00 x 8.00  | Screw Cover   | A16P14      | A16P14AL    | 14.75 x 12.88<br>375 x 327 | 16.94 x 12.00<br>430 x 305 | 16.55 x 14.55<br>420 x 370 | 7.45<br>189 | 6.23<br>158 | 2.08<br>53 | 12.25<br>311 | 14.25<br>362 | 15.56<br>395 | 0.15<br>4 | 13.56<br>344 |
|                | 406 x 356 x 203       | Quick Release | A16P14      | A16P14AL    | 14.75 x 12.88<br>375 x 327 | 16.94 x 12.00<br>430 x 305 | 16.55 x 14.55<br>420 x 370 | 7.45<br>189 | 6.23<br>158 | 2.08<br>53 | 12.25<br>311 | 14.25<br>362 | 15.56<br>395 | 0.15<br>4 | 13.56<br>344 |
| A181610CHSCFG  | 18.00 x 16.00 x 10.00 | Screw Cover   | A18P16      | A18P16AL    | 16.75 x 14.88<br>425 x 378 | 18.94 x 14.00<br>481 x 356 | 18.58 x 16.58<br>472 x 421 | 9.45<br>240 | 7.66<br>195 | 2.66<br>68 | 14.25<br>362 | 16.25<br>413 | 17.53<br>445 | 0.16<br>4 | 15.53<br>394 |
|                | 457 x 406 x 254       | Quick Release | A18P16      | A18P16AL    | 16.75 x 14.88<br>425 x 378 | 18.94 x 14.00<br>481 x 356 | 18.58 x 16.58<br>472 x 421 | 9.45<br>240 | 7.66<br>195 | 2.66<br>68 | 14.25<br>362 | 16.25<br>413 | 17.53<br>445 | 0.16<br>4 | 15.53<br>394 |
| A201610CHSCFG  | 20.00 x 16.00 x 10.00 | Screw Cover   | A20P16J     | A20P16JAL   | 18.75x14.88<br>476x378     | 20.94 x14.00<br>532x356    | 20.58x16.58<br>523x421     | 9.45<br>240 | 7.66<br>195 | 2.66<br>68 | 13.81<br>351 | 17.81<br>452 | 19.64<br>499 | 0.16<br>4 | 15.64<br>397 |
|                | 508 x 407 x 254       | Quick Release | A20P16J     | A20P16JAL   | 18.75x14.88<br>476x378     | 20.94 x14.00<br>532x356    | 20.58x16.58<br>523x421     | 9.45<br>240 | 7.66<br>195 | 2.66<br>68 | 13.81<br>351 | 17.81<br>452 | 19.64<br>499 | 0.16<br>4 | 15.64<br>397 |

Purchase panels separately. Optional stainless steel, aluminum, conductive and composite material panels available for most sizes.

Standard Product **Window Cover**

| Catalog Number | AxBxC in./mm          | Type          | Steel Panel | Alum. Panel | Panel Size D x E in./mm    | Mounting G x H in./mm      | Overall L x W in./mm       | F in./mm    | J in./mm    | K in./mm   | M in./mm     | N in./mm     | O in./mm     | P in./mm     | Q in./mm     | T in./mm  | U in./mm     |
|----------------|-----------------------|---------------|-------------|-------------|----------------------------|----------------------------|----------------------------|-------------|-------------|------------|--------------|--------------|--------------|--------------|--------------|-----------|--------------|
| A664CHSCFGW    | 6.00 x 6.00 x 4.00    | Screw Cover   | A6P6        | A6P6AL      | 4.88 x 4.88<br>124 x 124   | 6.94 x 4.00<br>176 x 102   | 6.50 x 6.50<br>165 x 165   | 3.45<br>88  | 3.25<br>83  | 1.00<br>25 | 4.25<br>108  | 4.25<br>108  | 4.25<br>108  | 4.25<br>108  | 5.64<br>143  | 0.12<br>3 | 5.64<br>143  |
|                | 152 x 152 x 102       | Quick Release | A6P6        | A6P6AL      | 4.88 x 4.88<br>124 x 124   | 6.94 x 4.00<br>176 x 102   | 6.50 x 6.50<br>165 x 165   | 3.45<br>88  | 3.25<br>83  | 1.00<br>25 | 4.25<br>108  | 4.25<br>108  | 4.25<br>108  | 4.25<br>108  | 5.64<br>143  | 0.12<br>3 | 5.64<br>143  |
| A864CHSCFGW    | 8.00 x 6.00 x 4.00    | Screw Cover   | A8P6        | A8P6AL      | 6.75 x 4.88<br>171 x 124   | 8.94 x 4.00<br>227 x 102   | 8.50 x 6.50<br>216 x 165   | 3.45<br>88  | 3.25<br>83  | 1.00<br>25 | 6.25<br>159  | 4.25<br>108  | 4.25<br>108  | 6.25<br>159  | 7.64<br>194  | 0.12<br>3 | 5.64<br>143  |
|                | 203 x 152 x 102       | Quick Release | A8P6        | A8P6AL      | 6.75 x 4.88<br>171 x 124   | 8.94 x 4.00<br>227 x 102   | 8.50 x 6.50<br>216 x 165   | 3.45<br>88  | 3.25<br>83  | 1.00<br>25 | 6.25<br>159  | 4.25<br>108  | 4.25<br>108  | 6.25<br>159  | 7.64<br>194  | 0.12<br>3 | 5.64<br>143  |
| A1086CHSCFGW   | 10.00 x 8.00 x 6.00   | Screw Cover   | A10P8       | A10P8AL     | 8.75 x 6.88<br>222 x 175   | 10.94 x 6.00<br>278 x 152  | 10.50 x 8.50<br>267 x 216  | 5.45<br>138 | 4.94<br>125 | 1.31<br>33 | 8.25<br>210  | 6.25<br>159  | 6.25<br>159  | 8.25<br>210  | 9.61<br>244  | 0.12<br>3 | 7.61<br>193  |
|                | 254 x 203 x 152       | Quick Release | A10P8       | A10P8AL     | 8.75 x 6.88<br>222 x 175   | 10.94 x 6.00<br>278 x 152  | 10.50 x 8.50<br>267 x 216  | 5.45<br>138 | 4.94<br>125 | 1.31<br>33 | 8.25<br>210  | 6.25<br>159  | 6.25<br>159  | 8.25<br>210  | 9.61<br>244  | 0.12<br>3 | 7.61<br>193  |
| A12106CHSCFGW  | 12.00 x 10.00 x 6.00  | Screw Cover   | A12P10      | A12P10AL    | 10.75 x 8.88<br>273 x 226  | 12.94 x 8.00<br>329 x 203  | 12.50 x 10.50<br>318 x 267 | 5.45<br>138 | 4.69<br>119 | 1.56<br>40 | 10.25<br>260 | 8.25<br>210  | 8.25<br>210  | 10.25<br>260 | 11.58<br>294 | 0.12<br>3 | 9.58<br>243  |
|                | 305 x 254 x 152       | Quick Release | A12P10      | A12P10AL    | 10.75 x 8.88<br>273 x 226  | 12.94 x 8.00<br>329 x 203  | 12.50 x 10.50<br>318 x 267 | 5.45<br>138 | 4.69<br>119 | 1.56<br>40 | 10.25<br>260 | 8.25<br>210  | 8.25<br>210  | 10.25<br>260 | 11.58<br>294 | 0.12<br>3 | 9.58<br>243  |
| A14128CHSCFGW  | 14.00 x 12.00 x 8.00  | Screw Cover   | A14P12      | A14P12AL    | 12.75 x 10.88<br>324 x 276 | 14.94 x 10.00<br>379 x 254 | 14.55 x 12.55<br>370 x 319 | 7.45<br>189 | 6.50<br>165 | 1.81<br>46 | 12.25<br>311 | 10.25<br>260 | 10.25<br>260 | 12.25<br>311 | 13.59<br>345 | 0.15<br>4 | 11.59<br>294 |
|                | 356 x 305 x 203       | Quick Release | A14P12      | A14P12AL    | 12.75 x 10.88<br>324 x 276 | 14.94 x 10.00<br>379 x 254 | 14.55 x 12.55<br>370 x 319 | 7.45<br>189 | 6.50<br>165 | 1.81<br>46 | 12.25<br>311 | 10.25<br>260 | 10.25<br>260 | 12.25<br>311 | 13.59<br>345 | 0.15<br>4 | 11.59<br>294 |
| A16148CHSCFGW  | 16.00 x 14.00 x 8.00  | Screw Cover   | A16P14      | A16P14AL    | 14.75 x 12.88<br>375 x 327 | 16.94 x 12.00<br>430 x 305 | 16.55 x 14.55<br>420 x 370 | 7.45<br>189 | 6.23<br>158 | 2.08<br>53 | 14.25<br>362 | 12.25<br>311 | 12.25<br>311 | 14.25<br>362 | 15.56<br>395 | 0.15<br>4 | 13.56<br>344 |
|                | 406 x 356 x 203       | Quick Release | A16P14      | A16P14AL    | 14.75 x 12.88<br>375 x 327 | 16.94 x 12.00<br>430 x 305 | 16.55 x 14.55<br>420 x 370 | 7.45<br>189 | 6.23<br>158 | 2.08<br>53 | 14.25<br>362 | 12.25<br>311 | 12.25<br>311 | 14.25<br>362 | 15.56<br>395 | 0.15<br>4 | 13.56<br>344 |
| A181610CHSCFGW | 18.00 x 16.00 x 10.00 | Screw Cover   | A18P16      | A18P16AL    | 16.75 x 14.88<br>425 x 378 | 18.94 x 14.00<br>481 x 356 | 18.58 x 16.58<br>472 x 421 | 9.45<br>240 | 7.66<br>195 | 2.66<br>68 | 16.25<br>413 | 14.25<br>362 | 14.25<br>362 | 16.25<br>413 | 17.53<br>445 | 0.16<br>4 | 15.53<br>394 |
|                | 457 x 406 x 254       | Quick Release | A18P16      | A18P16AL    | 16.75 x 14.88<br>425 x 378 | 18.94 x 14.00<br>481 x 356 | 18.58 x 16.58<br>472 x 421 | 9.45<br>240 | 7.66<br>195 | 2.66<br>68 | 16.25<br>413 | 14.25<br>362 | 14.25<br>362 | 16.25<br>413 | 17.53<br>445 | 0.16<br>4 | 15.53<br>394 |
| A201610CHSCFGW | 20.00 x 16.00 x 10.00 | Screw Cover   | A20P16J     | A20P16JAL   | 18.75x14.88<br>476x378     | 20.94 x14.00<br>532x356    | 20.58x16.58<br>523x421     | 9.45<br>240 | 7.66<br>195 | 2.69<br>68 | 18.25<br>464 | 14.25<br>362 | 13.81<br>351 | 17.81<br>452 | 19.64<br>499 | 0.16<br>4 | 15.64<br>397 |
|                | 508 x 407 x 254       | Quick Release | A20P16J     | A20P16JAL   | 18.75x14.88<br>476x378     | 20.94 x14.00<br>532x356    | 20.58x16.58<br>523x421     | 9.45<br>240 | 7.66<br>195 | 2.69<br>68 | 18.25<br>464 | 14.25<br>362 | 13.81<br>351 | 17.81<br>452 | 19.64<br>499 | 0.16<br>4 | 15.64<br>397 |

Purchase panels separately. Optional stainless steel, aluminum, conductive and composite material panels available for most sizes.



SIDE VIEW  
(QUICK-RELEASE COVER ENCLOSURE)

C2567-C

**QUICK-RELEASE LATCH KIT**



Two fiberglass-reinforced gray polyester latches with 316L stainless steel bail and screw-hole plugs are included in each package. Supplied with Continuous Hinge, Type 4X enclosures and available for Fiberglass Hinged Cover WiFi Cabinet, Type 4X. Kit converts screw-cover enclosures to quick-release without modification. No tools needed to install. Padlocking provision is included.

**BULLETIN: A48Y**

| Catalog Number | Description             | Kit Qty. |
|----------------|-------------------------|----------|
| AL48           | Quick-Release Latch Kit | 2        |

**SWING-OUT PANEL KIT**



The Swing-Out Panel Kit provides an attractive, cost-effective solution for installing front-mounted panels in Continuous Hinge, Type 4X, and Overlapping Cover, Type 4X enclosures. No drilling required.

**BULLETIN: A48Y**

| Catalog Number | Fits Enclosure A x B (in.) | Fits Enclosure A x B (mm) |
|----------------|----------------------------|---------------------------|
| A6SPK6C        | 6.00 x 6.00                | 152 x 152                 |
| A8SPK6C        | 8.00 x 6.00                | 203 x 152                 |
| A10SPK8C       | 10.00 x 8.00               | 254 x 203                 |
| A12SPK10C      | 12.00 x 10.00              | 305 x 254                 |
| A16SPK14C      | 16.00 x 14.00              | 406 x 356                 |
| A18SPK16C      | 18.00 x 16.00              | 457 x 406                 |
| A14SPK12C      | 14.00 x 12.00              | 356 x 305                 |

**MOUNTING FOOT KIT**



One-piece mounting foot kit consists of the necessary hardware to attach two fiberglass feet, molded from the same material as our A48 enclosure. This compression-molded fiberglass material has excellent chemical and temperature resistance and provides outstanding performance and durability in harsh environments. The mounting feet can be field installed on either the 18x16 or the 20x16 enclosure.

**BULLETIN: A48**

| Catalog Number | Description       | Kit Qty. |
|----------------|-------------------|----------|
| A48MFT16A      | Mounting Foot Kit | 2        |