

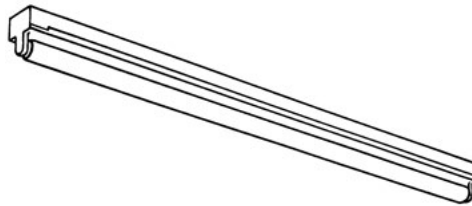
Day-Brite CFI

by  Signify

Linear

N small cross
section strip

2', 3', 4', or 8', T8



Project: _____
 Location: _____
 Cat.No: _____
 Type: _____
 Lamps: _____ Qty: _____
 Notes: _____

The Day-Brite / CFI N small cross section strip is both an inexpensive and highly efficient T8 luminaire with multiple reflector choices available.

Ordering guide

Example: N132-UNV-1/1-EB

Family	No. of Lamps per Cross Section	Lamp Type	Voltage	Options
	1	—	—	
N Small Cross Section	(not included)	17 17WT8 (24") 25 25WT8 (36")	UNV Universal voltage 120/277V	1/1 One 1-lamp ballast 1/2 One 2-lamp ballast
TN Tandem Unit	1	32 32WT8 (48")	120 120V 277 277V 347 347V	EB Electronic ballast, <10% THD EB10R Electronic ballast, program rapid start, <10% THD EBHE Electronic ballast, high efficiency, std. ballast factor EBLHE Electronic ballast, high efficiency, low ballast factor EBHHE Electronic ballast, high efficiency, high ballast factor LT20 -20°F start option (use in conjunction with ballast option) E1 B100 emerg. ballast, 350-450 lumens, 120/277V E1CAN B100-CAN emerg. ballast, Canada market, T8, 350-450 lumens, 120/347V E7 B60 emerg. ballast, 600-700 lumens, 120/277V E5 B50 emerg. ballast, U.S. or Canada market, 1100-1400 lumens, UNV ESCAN B50-CAN emerg. ballast, Canada market, 1100-1400 lumens, 120/347V ESST B50ST emerg. ballast w/self test, U.S. or Canada market, 1100-1400 lumens, UNV GLR Fusing, fast blow

Accessories (order separately)

- **CGS-2** 2' wire guard for strip without reflector
- **CGS-3** 3' wire guard for strip without reflector
- **CGS-4** 4' wire guard for strip without reflector (use 2 for 8')
- **CS-400** Rigid Canopy
- **CS-500** 42" top swivel canopy
- **CS-12** 12" Stem
- **CS-18** 18" Stem
- **CS-24** 24" Stem
- **CS-30** 30" Stem
- **CS-36** 36" Stem
- **CS-48** 48" Stem
- **NSR-2** 2' white steel symmetric reflector
- **NSR-3** 3' white steel symmetric reflector
- **NSR-4** 4' white steel symmetric reflector (use 2 for 8')
- **NSS-2** 2' specular symmetric reflector
- **NSS-3** 3' specular symmetric reflector
- **NSS-4** 4' specular symmetric reflector (use 2 for 8')
- **NAR-2** 2' white steel asymmetric reflector
- **NAR-3** 3' white steel asymmetric reflector
- **NAR-4** 4' white steel asymmetric reflector (use 2 for 8')
- **NAS-2** 2' specular asymmetric reflector
- **NAS-3** 3' specular asymmetric reflector
- **NAS-4** 4' specular asymmetric reflector (use 2 for 8')
- **NDR-2** 2' white steel directional reflector
- **NDR-3** 3' white steel directional reflector
- **NDR-4** 4' white steel directional reflector (use 2 for 8')
- **NDS-2** 2' specular directional reflector
- **NDS-3** 3' specular directional reflector
- **NDS-4** 4' specular directional reflector (use 2 for 8')

See section 1600-OA for option info. and 950-SS for mounting hardware.
 Power Connect modular wiring available, see sheet 1604-OA for details



N Small cross section strip

2', 3', 4' or 8', T8

Construction/Finish

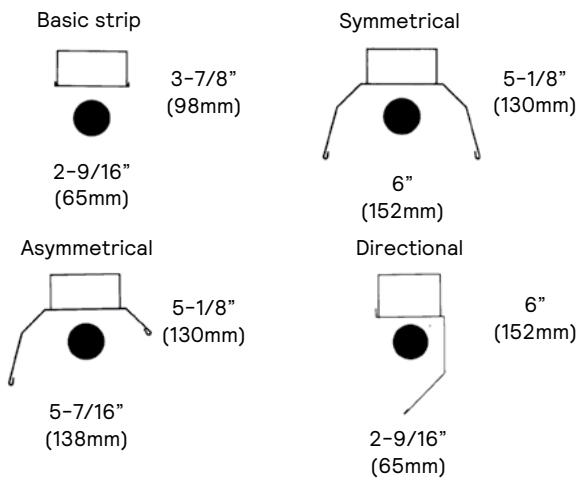
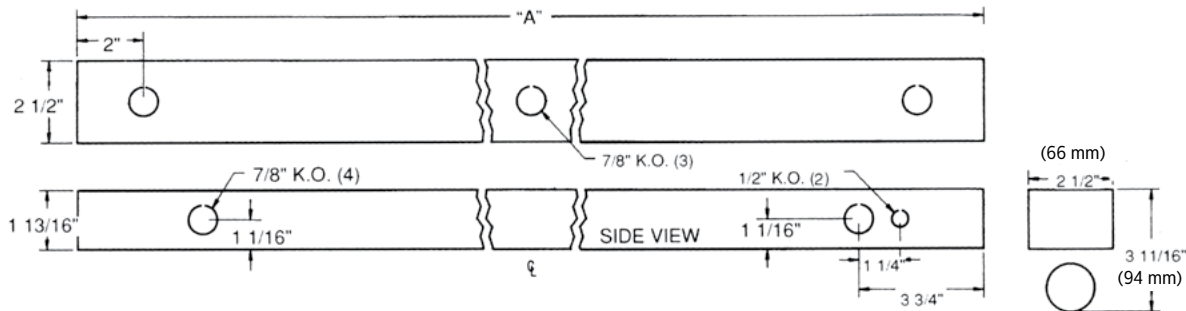
- Multiple knockouts for convenient installation.
- High reflectance white baked enamel finish.
- Quarter turn latch secures channel cover for easy wireway access.
- Heavy duty channel of code gauge die formed steel.
- Suitable for unit, row, surface, or suspension mounting.

Electrical

- cULus listed for direct mounting on low density ceilings and damp locations.
- Self-contained fluorescent emergency power packs can be incorporated.
- Green grounding screw installed in channel.
- Lampholders may be individually replaced or rewired.

Dimensions

DIM "A"	Inches	(mm)
8' CHANNEL	96"	(2438 mm)
4' CHANNEL	48"	(1219 mm)
3' CHANNEL	36"	(914 mm)
2' CHANNEL	24"	(610 mm)



Catalog Numbers (Reflectors only)		
Symmetrical	Asymmetrical	Directional
Steel	Steel	Steel
2' NSR-2	2' NAR-2	2' NDR-2
3' NSR-3	3' NAR-3	3' NDR-3
4' NSR-4	4' NAR-4	4' NDR-4
Silverado*	Silverado*	Silverado*
2' NSS-2	2' NAS-2	2' NDS-2
3' NSS-3	3' NAS-3	3' NDS-3
4' NSS-4	4' NAS-4	4' NDS-4

*Silverado reflectors are made from a high reflectance (95%) specular material. The specular finish provides more precise light control. Order strips separately.
Order two 4' reflectors for 8' strips.

N Small cross section strip

2', 3', 4' or 8', T8

Photometry

N small cross section strip, 4' 1 Lamp 32W T8

Efficiency – 94.2%

LER – FS-73

TER – 37

Catalog No.	N132-1/1-EB	Candlepower				Light Distribution				Average Luminance							
		Angle	End	45	Cross	Degrees	Lumens	% Lamp	% Luminaire	Angle	End	45'	Cross				
Test No.	14444	0	464	464	464	0-30	378	13.0	13.8	45	13229	6856	6524				
S/MH	1.6	5	462	465	463	0-40	641	22.1	23.5	55	11823	6184	6056				
Lamp Type	F32T8	15	443	460	468	0-60	1265	43.6	46.3	65	9776	5544	5555				
Lumens/Lamp	2900	25	408	448	474	0-90	2078	71.6	76.1	75	6572	4758	5007				
Ballast Factor	.96	35	357	429	477	90-180	654	22.5	23.9	85	1228	4108	4607				
Input Watts	36	45	292	404	480	0-180	2731	94.2	100.0								
		55	216	377	472	Coefficients of Utilization											
		65	136	339	444	EFFECTIVE FLOOR CAVITY REFLECTANCE 20 PER (pfc=0.20)											
		75	60	283	398	pcc											
		85	5	230	353	80											
		95	0	223	346	70											
		105	0	227	348	50											
		115	0	135	306	pw											
		125	0	57	192	70 50 30											
		135	0	0	81	70 50 30											
		145	0	0	0	50 30											
		155	0	0	0	RCR											
		165	0	0	0	0											
		175	0	0	0	107 107 107											
						102 102 102											
						92 92											
						93 88 82											
						89 83 79											
						75 71											
						83 75 67											
						79 70 64											
						64 57											
						76 65 56											
						70 60 53											
						55 48											
						68 56 46											
						65 54 45											
						47 40											
						63 50 40											
						58 46 39											
						42 35											
						57 45 35											
						54 41 34											
						38 30											
						53 40 30											
						50 38 29											
						34 28											
						50 35 28											
						46 34 27											
						32 25											
						46 33 25											
						44 32 23											
						28 22											
						42 29 23											
						40 28 22											
						27 20											

Comparative yearly lighting energy cost per 1000 lumens – \$3.29 based on 3000 hrs. and \$.08 pwr KWH.

The photometric results were obtained in the Day-Brite laboratory which is NVLAP accredited by the National Institute of Standards and Technology.



Some luminaires use fluorescent or high intensity discharge (HID) lamps that contain small amounts of mercury. Such lamps are labeled, "Contain Mercury" and/or the symbol "HG". Lamps that contain mercury must be disposed of in accordance with local requirements. Information regarding lamp recycling and disposal can be found at www.lamprecycle.org

