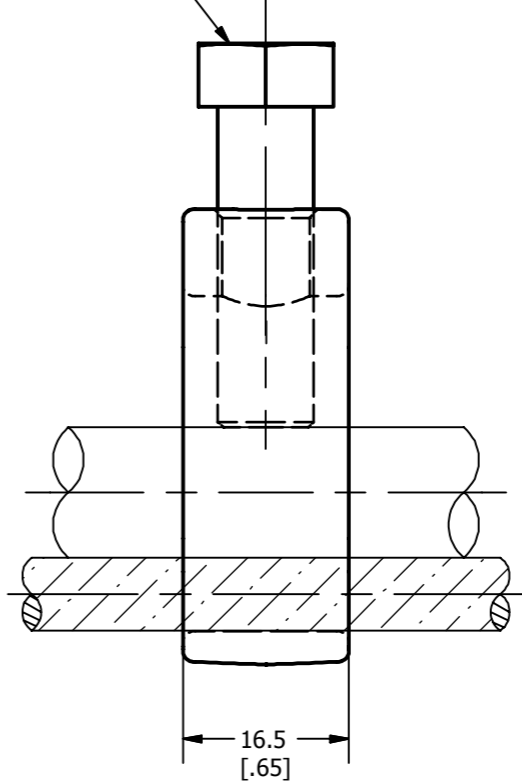
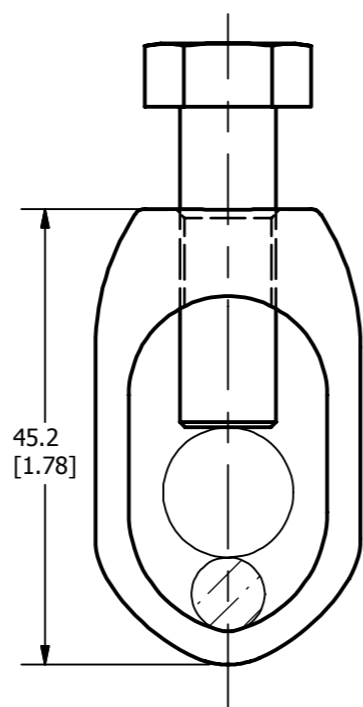


REV	DATE	DESCRIPTION	ECO	BY	CHK.
A	02/10/2012	"DRP" DOCUMENT RE-DRAW PROCESS	26731	MRA	MB

(1) 3/8" X 25.4 (1.00) LONG HEX DURIUM BOLT.



NOTES:

1. MATERIAL: CAST COPPER ALLOY # 330.
2. ACCOMMODATES: 5/8" & 3/4" CU OR GALV STEEL ROD TO # 8 - 2/0 CU WIRE 3.28 (.129) DIA- 10.64 (.419) DIA.
3. NOMINAL BOLT INSTALLATION TORQUE: 20Nm (170 IN-LBS) FOR 3/8" DURIUM HARDWARE.
4. THE CONCEPT SHOWN INCORPORATES DESIGN PRINCIPLES WHICH PERMIT OPERATION AT A VOLTAGE GRADIENT NORMALLY ASSOCIATED WITH 138 KV RMS OPERATION PHASE TO PHASE.

TO ORDER BURNDY PRODUCTS CALL		GROUND ROD CONNECTOR	
UNITED STATES		ITEM NO: 10058507	
1-800-346-4175 (LONDONDERRY, NH)		CAT. NO: GRC3426	
CANADA:		DRAWN BY: G.F. 9/17/1985	
1-800-361-6975 (QUEBEC)		CHECKER: NF	
1-800-387-6487 (ALL OTHER PROVINCES)		DSN APRVL: _____	
FOR PRODUCT INFO: http://www.burndy.com		MFG APRVL: _____	
		QA APRVL: _____	
		MKT APRVL: _____	
PROD FAM:	DRAWING NO		
PROJECT #:	SIZE		
DOCUMENT TYPE: Sales	CSC028819-01		
REL LEVEL: Released	B		
		SHEET 1 OF 1	A