

Highly efficient
**soft
lighting**
with classic styling



ARIOSO RECESSED LED RIBBED ACRYLIC 4"

The Philips Day-Brite / Philips CFI Ariosso Recessed LED Ribbed Acrylic 4" offers standard-setting efficiency without aesthetic compromise. These LED luminaires combine state-of-the-art, flexible, and globally-recognized LED lighting platforms with proven Ariosso optical combinations. The result is the optimal performance and ambiance you have come to expect from an Ariosso specification with energy efficiency—all in a variety of indoor lighting applications, such as office and retail lighting environments. By choosing Philips Ariosso Recessed LED luminaires for your interior soft light application, you have peace of mind that the excellence in design and aesthetics you expect from Ariosso is matched by light-source quality and efficiency of operation.

Benefits

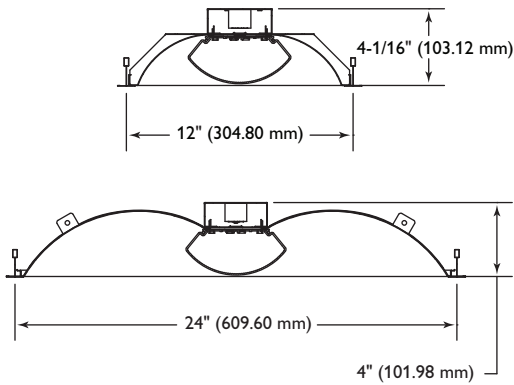
- 100% frosted ribbed acrylic lens provides soft, balanced, direct and reflected light.
- Multiple lumen outputs are available to balance energy savings with lighting application needs.
- 80+ CRI and excellent color consistency.
- High efficiency LEDs have a minimum 50,000 hour rated life (L70). Predicted L70 lifetime based on LED manufacturer's supplied LM-80 data and in-situ laboratory testing.



PHILIPS
Day-Brite

PHILIPS
CFI

ARIOSO RECESSED LED RIBBED ACRYLIC 4"



Features

- Seamless welded form-curved top and side reflectors form together without any gaps or visual barriers
- Housing assembly is 20-gauge steel.
- Finish is 95% reflectance, baked white, acrylic matte paint.
- High-performance contoured lens conceals lamp image providing balance between reflected and direct light.
- LED boards and drivers are RoHS (Restriction of Hazardous Substances)-compliant. For dimming options, consult factory
- cCSAus approved

The Philips Day-Brite / Philips CFI Ariosso Recessed LED Ribbed Acrylic 4" offers multiple lumen outputs to balance energy savings with lighting application needs and is ideal for indoor general area lighting – offices, schools, retail and health care applications.

Ordering guide

example: 2AVEG32L835-4-ACR-UNV

Width	Family	Ceiling Type	Lumen Package	Color	Length	Shielding	Voltage	Options
1	AVE	G				ACR		
1 1'	AVE Ariosso Recessed	G 15/16" T-Grid or 9/16" Slot Grid	32L 3200 nominal lumens	840 80 CRI, 4000K	2 2'	ACR 100% frosted ribbed acrylic lens	UNV Universal voltage, 120-277 volt	DIM 0-10V dimming driver F1 3/8" Flex, 3 Wire 18 gauge F2 3/8" Flex, 4 Wire 18 gauge GLR1 Fusing, Fast Blow EMLED Integral emergency battery pack (requires deeper housing)
2 2'			38L 3800 nominal lumens	835 80 CRI, 3500K	4 4'			
			43L ¹ 4300 nominal lumens					
			49L ¹ 4900 nominal lumens					
			74L ¹ 7400 nominal lumens					

Footnotes:

¹ 2x4 only

Accessories (order separately)

- Electrical wiring options: Consult factory
- Drywall kit: Order Catalog Number: FMA14 (1x4), FMA22 (2x2), FMA24 (2x4)
- Lens Replacement: Order Catalog Number: 1AVE/2AVE-ACR (1x4 or 2x4), 2AVE-ACRC (2x2)
- Emergency options: Consult factory – requires a deeper housing



© 2013 Koninklijke Philips N.V. All rights reserved.
Specifications are subject to change without notice.
www.philips.com/luminaires

PDb-1304BN 10/13

Philips Lighting Company
200 Franklin Square Drive
Somerset, NJ 08873
Phone: 855-486-2216

Philips Lighting Company
281 Hillmount Road
Markham ON, Canada L6C 2S3
Phone: 800-668-9008