

Enclosed, shielded illumination for demanding locations.

VTH4 SERIES PACIFIC HIGH BAY



ENCLOSED HIGH BAY FOR DEMANDING ENVIRONMENTS 4 AND 6 LAMP T5 AND T8

CSA listed for damp/wet locations. One-piece fiberglass reinforced polyester housing. Smooth virgin acrylic lens. Crepe pattern inner surface lens. Bonded closed-cell neoprene gasket. Molded cam-action tension latches.

Project: _____
 Location: _____
 Catalog No: _____
 Fixture Type: _____
 Mfg: _____ Lamps: _____ Qty: _____
 Notes: _____

Ordering Guide

Explanation of Catalog Number Example: VTH4632STUNVH5X

Family	Lamp/Fixture Length	Lamp Quantity	Lamp Type	Lens Type	Voltage	Ballast Type	Options
<input type="checkbox"/> VTH	<input type="checkbox"/> 4	<input type="checkbox"/>	<input type="checkbox"/>	<input type="checkbox"/>	<input type="checkbox"/>	<input type="checkbox"/>	<input checked="" type="checkbox"/> X
Pacific High Bay—Demanding Environments	4 = Nominal 48"	4 = 4 Lamps 6 = 6 Lamps	32 = 32W T8 54 = 54W T5HO	ST = 100% Impact Resistant Acrylic VX = UV Stabilized Polycarbonate	UNV = 120/277V 120 = 120V 277 = 277V 347 = 347V	H4 = Electronic T8 I.S. (1) 4 Lamp <10%THD H5 = Electronic T8 I.S. (1) 4 Lamp and (1) 2 Lamp <10%THD PV = T5HO Electronic P.S. (1) 4 Lamp <10%THD P6 = T5HO Electronic P.S. (1) 4 Lamp and (1) 2 Lamp <10%THD	X = Specular Contoured Reflector

VTH4 SERIES PACIFIC HIGH BAY

Features

- NSF Splash Zone Certified.
- Can be surface mounted or suspended.
- IP66 and IP67 rated—can be installed in wet locations, areas of high humidity, water vapor, rain, incidental water spray or other non-corrosive or non-flammable liquid.
- Housing is 5VA flammability rated in accordance with UL94 and UL746.
- Gear tray is pre-painted white with a minimum total reflectance of 87%.
- Captive stainless steel latches provide durability and chemical resistance.
- Gear tray can be opened or latched from either side for easy installation and maintenance.
- Tamper resistant option available.
- Lens available in 100% impact resistant acrylic for maximum light transmission or UV stabilized polycarbonate for temperature extremes.
- Prismatic lens sides and lightly frosted lens ends reduce direct glare
- Wash down design—smooth exterior surface for easy cleaning, horizontal surfaces minimized and latch pockets designed to minimize debris retention.
- Entry holes are 1/2" for NPT/M20 fittings.

Specifications

Materials: Chassis parts are die-formed code gauge cold rolled steel.

Lens: 100% impact resistant acrylic or UV stabilized polycarbonate.

Finish: Cavity—white baked enamel minimum 87% reflectance. Phosphate undercoating.

Latches: Stainless steel captive design, 12 per fixture for positive lens retention.

Electrical: Rapid start LPF, thermally protected class "P" ballast C.B.M. certified by E.T.L. If K.O. is within 3" of ballast, use wire suitable for at least 90°.

Labels: Listed by cCSAus.

This product may have a mercury containing lamp. Manage in accord with Disposal Laws. See: www.lamprecycle.org

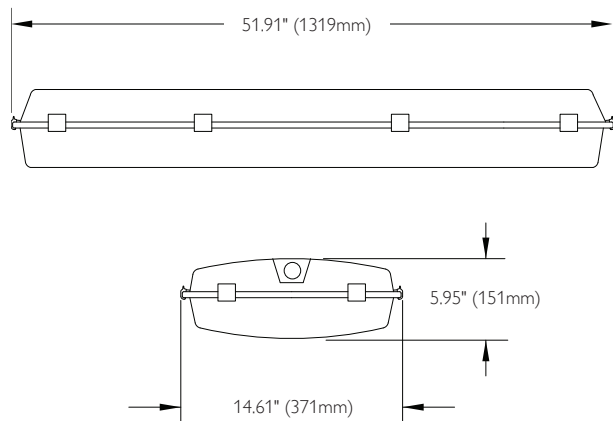
Options/Accessories

Internal Fusing: Add suffix **F**.

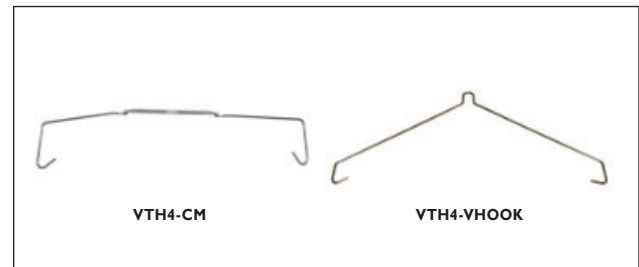
Specular Reflector: Add suffix **X**.

Tamper Proof: Add suffix **9**.

Dimensions



Mounting Methods



Stainless steel latches standard

VTH4 SERIES PACIFIC HIGH BAY

Performance

Model No. VTH4632STUNVH5X

Report Number: 14137

Catalog Number: VTH4632STUNVH5X

Lamp: (6) F32T8

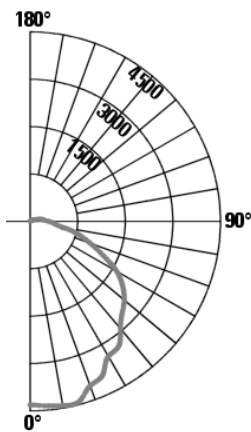
Lumens per Lamp: 2950

Luminaire Input Watts: 141

Efficiency: 77.3%

Candela Distribution

Angle	0.0	22.5	45.0	67.5	Across
0	4295	4295	4295	4295	4295
10	4423	4407	4391	4383	4383
20	4148	4116	4116	4116	4108
30	3648	3624	3608	3632	3664
40	3073	3058	3105	3265	3305
50	2403	2395	2618	2826	2890
60	1628	1700	2051	2307	2379
70	830	1037	1373	1533	1564
80	215	439	686	838	894
90	39	167	367	479	518
100	23	87	207	303	335
110	0	55	127	191	215
120	0	31	71	119	127
130	0	23	55	79	79
140	0	0	39	55	63
150	0	0	0	47	47
160	0	0	0	31	23
170	0	0	0	0	0
180	0	0	0	0	0



Coefficients of Utilization

Ceiling	80%			70%			50%			
Wall	70	50	30	50	30	10	50	30	10	
RCR	Zonal Cavity Method—Effective Floor Cavity Reflectance = 0.20									
Room Cavity Ratio	1	84	80	77	78	75	72	74	72	69
	2	76	70	65	68	64	59	65	61	58
	3	70	62	56	61	55	50	58	53	49
	4	64	55	48	54	48	43	51	46	42
	5	58	49	42	47	41	36	45	40	35
	6	54	43	37	43	36	31	41	35	31
	7	50	39	32	38	32	27	37	31	27
	8	46	35	28	34	28	24	33	27	23
	9	42	31	25	31	25	20	30	24	20
	10	39	29	22	28	22	18	27	22	18

Zonal Lumen Summary

Zone	Lumens	% Lamp	% Fixt
0-30	3520	19.9	25.6
0-40	5717	32.3	41.6
0-60	10,032	56.7	73.0
0-90	13,113	74.1	95.4
90-120	521	2.9	3.8
90-130	578	3.3	4.2
90-150	624	3.5	4.5
90-180	631	3.6	4.6
0-180	13,744	77.6	100.0



© 2013 Koninklijke Philips N.V. All rights reserved.
Specifications are subject to change without notice.
www.philips.com/luminaires

Philips Lighting Company
200 Franklin Square Drive
Somerset, NJ 08873
Phone: 855-486-2216

Philips Lighting Company
281 Hillmount Road
Markham ON, Canada L6C 2S3
Phone: 800-668-9008