

.....[®]
CALRAD
ELECTRONICS

819 N. Highland Ave.
 Los Angeles, CA 90038

Tel (323) 465-2131, Fax (323) 465-3504
 Visit us on the web at www.calrad.com

New Part No. **92-167**
6 Port IR
Distribution Block



The Calrad 92-167 is a IR distribution block that simplifies the connection of IR receivers and emitters for IR signal distribution. A 3.5 mm jack and a phoenix style terminal block are provided for connecting different styles of IR receivers. The 92-167 has the ability to send IR signals to 6-sources using a single emitter or up to 12 or more sources if double or triple IR emitters are used. Three colored L.E.D. indicators show power status, IR signal and IR confirmation. Includes 12Vdc power supply.

Features:

- * Send signals to 6 or more emitters
- * Detachable IR Receiver input connector
- * Power, Ground, Status and Signal
- * IR Receiver input jack .125"(3.5mm)
- * 12Vdc powered
- * IR Confirmation LED
- * Power LED
- * Status Confirmation LED
- * Easy screw style mounting tabs



92-167 Connection Diagram



6 ft. cord

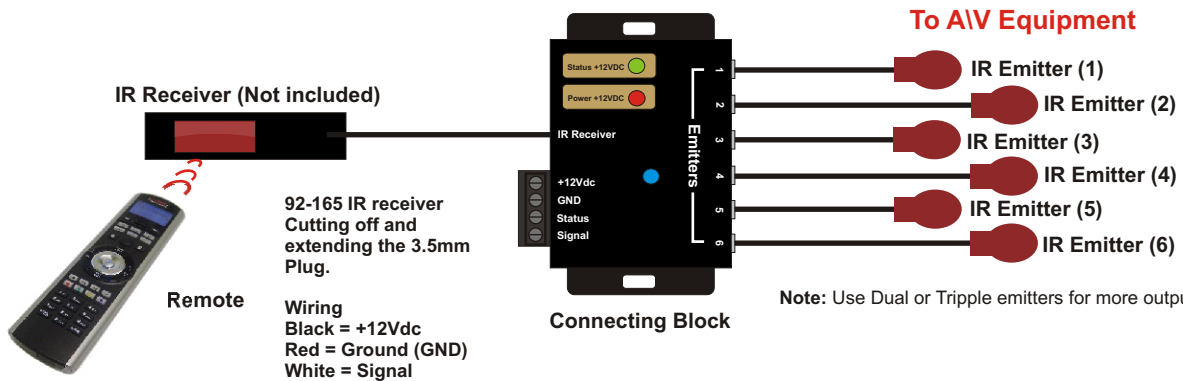
Size: L-2.13" x .W-56" x H-.52"



Calrad 92-152
 Flashing IR Emitter
 (Not Included)



12Vdc
 Power Supply
 (Included)



IR Receiver (Not included)

92-165 IR receiver
 Cutting off and
 extending the 3.5mm
 Plug.

Remote

Wiring
 Black = +12Vdc
 Red = Ground (GND)
 White = Signal

Connecting Block

Note: Use Dual or Tripple emitters for more output capacity

Specifications

DC Power Supply: 12VDC 300ma, Positive Center
 Status: +12Vdc Input
 (6) Ports .125" (3.5mm) Mono IR Emitter outputs
 IR Receiver Jacks: .125" (3.5mm Stereo Jack) IR Receiver Input,
 4 conductor phoenix style connecting block (12Vdc), (Gnd), (Status), (Signal)
 L.E.D. Indicators: (Power), (Signal), (Status)
 Dimensions: L- 1.95" x W-2.25" x H-.98"
 Distribution Block Weight: 6 oz.

X Media Management
 And Home Automation
Lobby
www.xlobby.com