

# T&B® Cable Tray Aluminum

## Fitting – Number Selection

Fittings in a cable tray system are required to change cable routing direction and to join straight sections and other fittings.

This step of the cable tray selection process requires that the specifier chooses between two distinct styles U and H.

**NOTE:** The **U-Style** and **H-Style** systems are not interchangeable. Once you have selected a system, you must be consistent.

### U-Style Fitting

A U-shaped extrusion forms the fitting siderail.

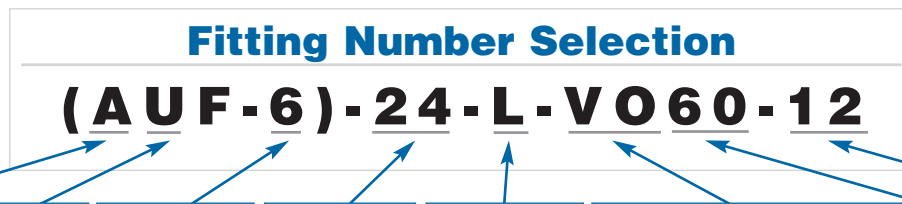
U-Style fittings utilize a 4" splice plate and the fittings do not have tangents at the extremities. This style offers maximum quality versus cost ratios of the installation.

### H-Style Fitting

An H-shaped extrusion forms the fitting siderail.

H-Style fittings utilize a 7" splice plate and the fittings have 3" tangents at the extremities. This style offers enhanced aesthetics to the end-user.

**H**  
T&B® Cable Tray



Fitting Material	Fitting Style	Siderail Depth	Width	Bottom Type	Fitting Type	Angle **	Radius †
A • Aluminum	U • U-Beam	4 • (4")	06 • (6")	* L • Ladder	<b>HB</b> • Horizontal Bend <b>HT</b> • Horizontal Tee <b>HX</b> • Horizontal Cross <b>VI</b> • Vertical Inside Bend <b>VO</b> • Vertical Outside Bend <b>VTD</b> • Vertical Tee Down <b>VTU</b> • Vertical Tee Up <b>HYR</b> • Horizontal Wye Right <b>HYL</b> • Horizontal Wye Left <b>RT</b> • Horizontal Reducing Tee <b>ET</b> • Horizontal Expanding Tee <b>EX</b> • Horiz. Expand Cross <b>HLR</b> • Horizontal Left Reducer <b>HSR</b> • Horizontal Straight Reducer <b>HRR</b> • Horizontal Right Reducer <b>CS</b> • Cable Support Fitting	30 • (30°)	12 • (12")
	H • H-Beam	5 • (5")	09 • (9")	*** V • Ventilated		45 • (45°)	24 • (24")
		6 • (6")	12 • (12")	**** S • Solid Trough		60 • (60°)	36 • (36")
		7 • (7")	18 • (18")			90 • (90°)	48 • (48")
			24 • (24")				
			30 • (30")				
			36 • (36")				
			42 • (42")				

\*\* Angle is required for HB, VI, VO only.

† Radius is not required for the following Fitting Types:  
**HYR, HYL, HLR, HRR, HSR**

\* Manufactured with 9" rung spacing measured at the center line of fitting.

\*\*\* Manufactured with 4" rung spacing measured at the center line of fitting.

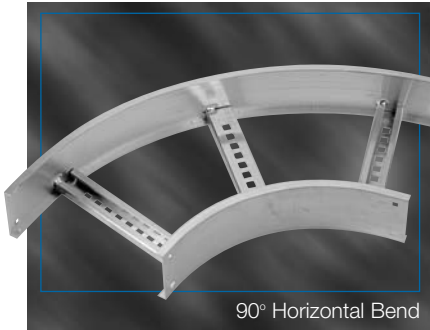
\*\*\*\* Manufactured with flat sheet inserted under rungs with 9" rung spacing measured at the center line of fitting.

T&B aluminum cable tray is composed of two distinct systems H-Style and U-Style. These systems are not interchangeable. Pick one system and stay with it through your project / installation. (Don't mix H and U style components on the same job.)

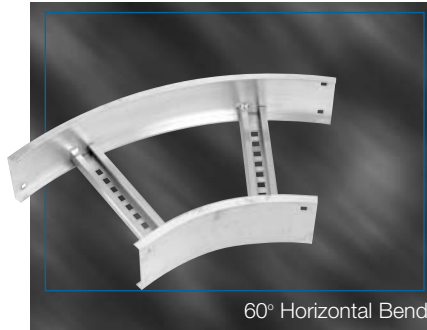
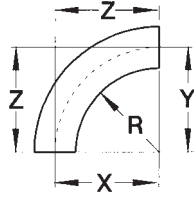
**Thomas & Betts**

# T&B® Cable Tray Aluminum

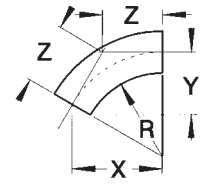
## U-Style Fittings— Horizontal Bends – 90° / 60°



90° Horizontal Bend



60° Horizontal Bend



### Part Numbering System

**AUF-4-24-L-HB60-12**

Fitting Material and Siderail: AUF-4  
Width: 24  
Fitting Type: L  
Radius: HB60-12  
Siderail Depth: L  
Bottom Style: HB60  
Angle: 12

### Selection Guide

Inside Tray Widths: 6, 9, 12, 18, 24, 30, 36, 42

Angle: 90°, 60°

Radius: 12, 24, 36, 48

Bottom Styles: L— Ladder, V— Ventilated, S— Solid

Side Rail Depth: 4"– 7"

### Technical Specifications

#### 90° Horizontal Bend — U-Style

Radius R	Width	Catalogue Number	Dimensions		
			X	Y	Z
12	6	AUF(t)-06-(*)-HB90-12	15	15	15
	9	AUF(t)-09-(*)-HB90-12	16-1/2	16-1/2	16-1/2
	12	AUF(t)-12-(*)-HB90-12	18	18	18
	18	AUF(t)-18-(*)-HB90-12	21	21	21
	24	AUF(t)-24-(*)-HB90-12	24	24	24
	30	AUF(t)-30-(*)-HB90-12	27	27	27
	36	AUF(t)-36-(*)-HB90-12	30	30	30
24	42	AUF(t)-42-(*)-HB90-12	33	33	33
	6	AUF(t)-06-(*)-HB90-24	27	27	17
	9	AUF(t)-09-(*)-HB90-24	28-1/2	28-1/2	28-1/2
	12	AUF(t)-12-(*)-HB90-24	30	30	30
	18	AUF(t)-18-(*)-HB90-24	33	33	33
	24	AUF(t)-24-(*)-HB90-24	36	36	36
	30	AUF(t)-30-(*)-HB90-24	39	39	39
36	36	AUF(t)-36-(*)-HB90-24	42	42	42
	42	AUF(t)-42-(*)-HB90-24	45	45	45
	6	AUF(t)-06-(*)-HB90-36	39	39	39
	9	AUF(t)-09-(*)-HB90-36	40-1/2	40-1/2	40-1/2
	12	AUF(t)-12-(*)-HB90-36	42	42	42
	18	AUF(t)-18-(*)-HB90-36	45	45	45
	24	AUF(t)-24-(*)-HB90-36	48	48	48
48	30	AUF(t)-30-(*)-HB90-36	51	51	51
	36	AUF(t)-36-(*)-HB90-36	54	54	54
	42	AUF(t)-42-(*)-HB90-36	57	57	57
	6	AUF(t)-06-(*)-HB90-48	51	51	51
	9	AUF(t)-09-(*)-HB90-48	52-1/2	52-1/2	52-1/2
	12	AUF(t)-12-(*)-HB90-48	54	54	54
	18	AUF(t)-18-(*)-HB90-48	57	57	57

#### 60° Horizontal Bend — U-Style

Radius R	Width	Catalogue Number	Dimensions		
			X	Y	Z
12	6	AUF(t)-06-(*)-HB60-12	13	7-1/2	8-11/16
	9	AUF(t)-09-(*)-HB60-12	14-5/16	8-1/4	9-1/2
	12	AUF(t)-12-(*)-HB60-12	15-9/16	9	10-3/8
	18	AUF(t)-18-(*)-HB60-12	18-3/16	10-1/2	12-1/8
	24	AUF(t)-24-(*)-HB60-12	20-13/16	12	13-7/8
	30	AUF(t)-30-(*)-HB60-12	23-3/8	13-1/2	15-9/16
	36	AUF(t)-36-(*)-HB60-12	26	15	17-5/16
24	42	AUF(t)-42-(*)-HB60-12	28-9/16	16-1/2	19-1/16
	6	AUF(t)-06-(*)-HB60-24	23-3/8	13-1/2	15-9/16
	9	AUF(t)-09-(*)-HB60-24	24-11/16	14-1/4	16-7/16
	12	AUF(t)-12-(*)-HB60-24	26	15	17-5/16
	18	AUF(t)-18-(*)-HB60-24	28-9/16	16-1/2	19-1/16
	24	AUF(t)-24-(*)-HB60-24	31-3/16	18	20-13/16
	30	AUF(t)-30-(*)-HB60-24	33-3/4	19-1/2	22-1/2
36	36	AUF(t)-36-(*)-HB60-24	36-3/8	21	24-1/4
	42	AUF(t)-42-(*)-HB60-24	39	22-1/2	26
	6	AUF(t)-06-(*)-HB60-36	33-3/4	19-1/2	22-1/2
	9	AUF(t)-09-(*)-HB60-36	35-1/16	20-1/4	23-3/8
	12	AUF(t)-12-(*)-HB60-36	36-3/8	21	24-1/4
	18	AUF(t)-18-(*)-HB60-36	39	22-1/2	26
	24	AUF(t)-24-(*)-HB60-36	41-9/16	24	27-11/16
48	30	AUF(t)-30-(*)-HB60-36	44-3/16	25-1/2	29-7/16
	36	AUF(t)-36-(*)-HB60-36	46-3/4	27	31-3/16
	42	AUF(t)-42-(*)-HB60-36	49-3/8	28-1/2	32-15/16
	6	AUF(t)-06-(*)-HB60-48	44-3/16	25-1/2	29-7/16
	9	AUF(t)-09-(*)-HB60-48	45-7/16	26-1/4	30-5/16
	12	AUF(t)-12-(*)-HB60-48	46-3/4	27	31-3/16
	18	AUF(t)-18-(*)-HB60-48	49-3/8	28-1/2	32-15/16

(t) Insert side rail depth. (\*) Insert bottom style to complete Catalogue Number. Includes 1 pair of splice plates with hardware.

T&B aluminum cable tray is composed of two distinct systems H-Style and U-Style. These systems are not interchangeable. Pick one system and stay with it through your project / installation. (Don't mix H and U style components on the same job.)

**Thomas & Betts**