



4" BOX WITH COVER 1/2DVXJC 3/4DVXJC

The DVXJC box is available with 1/2 or 3/4 inch threaded conduit entries. Comes complete with four plugs installed, ground mounting screw installed, cover is also installed. Ideal for use in commercial and industrial applications.

CAST BOX Precision die-cast **aluminum**, 4" diameter and 1-9/16" deep. Each unit has two opposing mounting feet. Each unit has four conduit entries on the side 90° apart and one on the bottom.

INTERNAL MOUNTING POSTS 4 posts for mounting covers, 90° apart on a 3-1/2" bolt circle, 10-24 tapped. 2 posts 180° apart, 10-24 tapped for universal cross bars. One post for ground wire screw 10-24 tapped.

COVER Stamped aluminum installed with two 10-24 zinc plated screws.

CONDUIT ENTRIES 5 conduit entries, four on the side, one on the bottom, threaded, available as 1/2 or 3/4.

HARDWARE Each unit comes complete with four plugs installed, made of cast aluminum, threaded to match side conduit entries and one ground screw installed

GASKET Neoprene

FINISH Standard unit is a sand blasted aluminum. Powder coat painted finish is also available in the following finishes, black white, bronze and charcoal.

APPROVAL cUL us

ALUMINUM NATURAL FINISH



PAINTED FINISH



www.rabdesign.ca

Catalog Code

DVXJ BOX

1/2DVXJC
3/4DVXJC

CONDUIT ENTRY

B - BLACK
W - WHITE
R - BRONZE
C - CHARCOAL

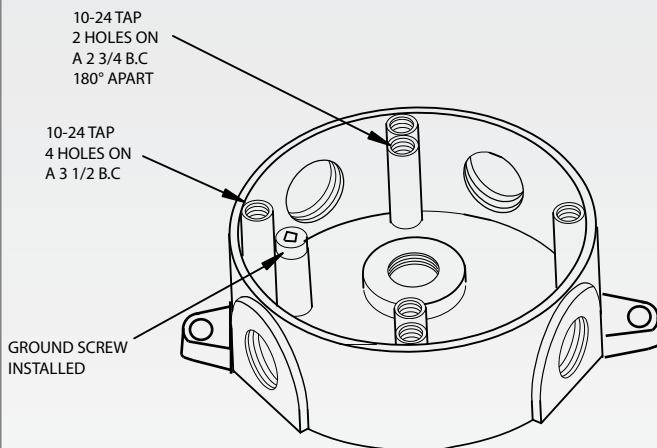
PAINTED FINISH*

PLEASE NOTE : STANDARD UNIT HAS A SAND BLASTED ALUMINUM FINISH

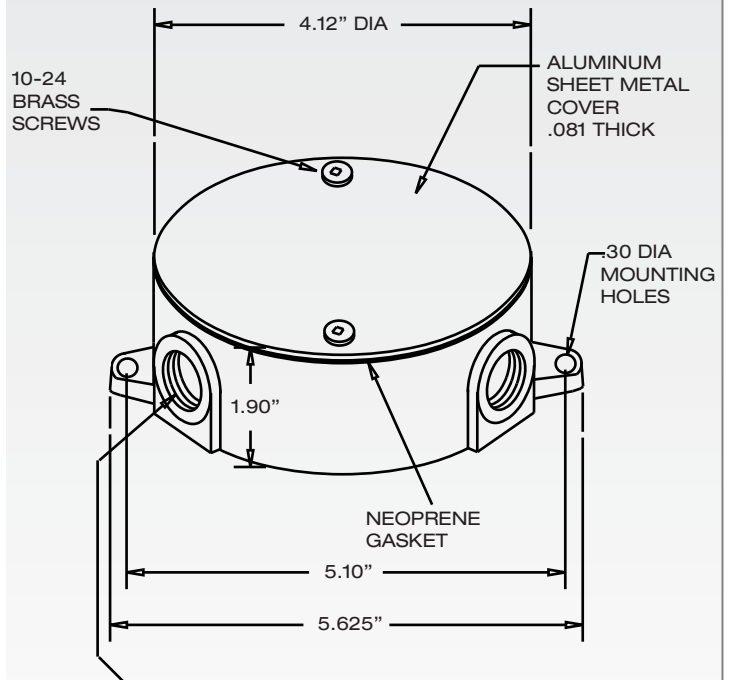
RAB
DESIGN



Interior View



Dimensions



AVAILABLE WITH (4) 1/2" OR 3/4" SPACED 90° APART (PLUGS INSTALLED) PLUS (1) CENTERED ON THE BACK OF THE BOX

www.rabdesign.ca