



## D5313 1/2" D5333 3/4"

*Weatherproof, two gang, die cast aluminum box with two flex lugs for wall or pole mounting of outdoor outlets, sensors or floods. Complete with ground screw installed and spare loose plug.*

**BOX** Die cast aluminum with three entry holes D5313 1/2" and D5333 3/4" threaded entry. Box has a silver grey powder coat paint finish.

**MOUNTING TABS** Stamped metal galvanized. Tabs held in place with two screws for ease of removing.

**GROUND SCREW** Green galvanized metal screw installed.

**CLOSE-UP PLUGS** Two spare close-up plugs included.

**APPROVAL** cUL us



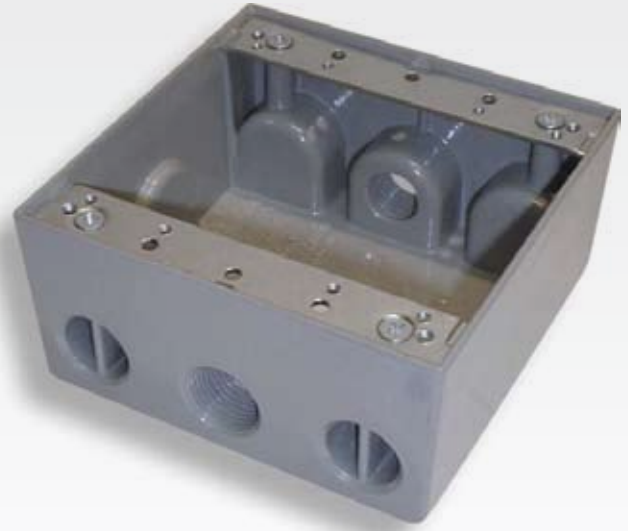
Catalog Code

SQUARE  
BOX

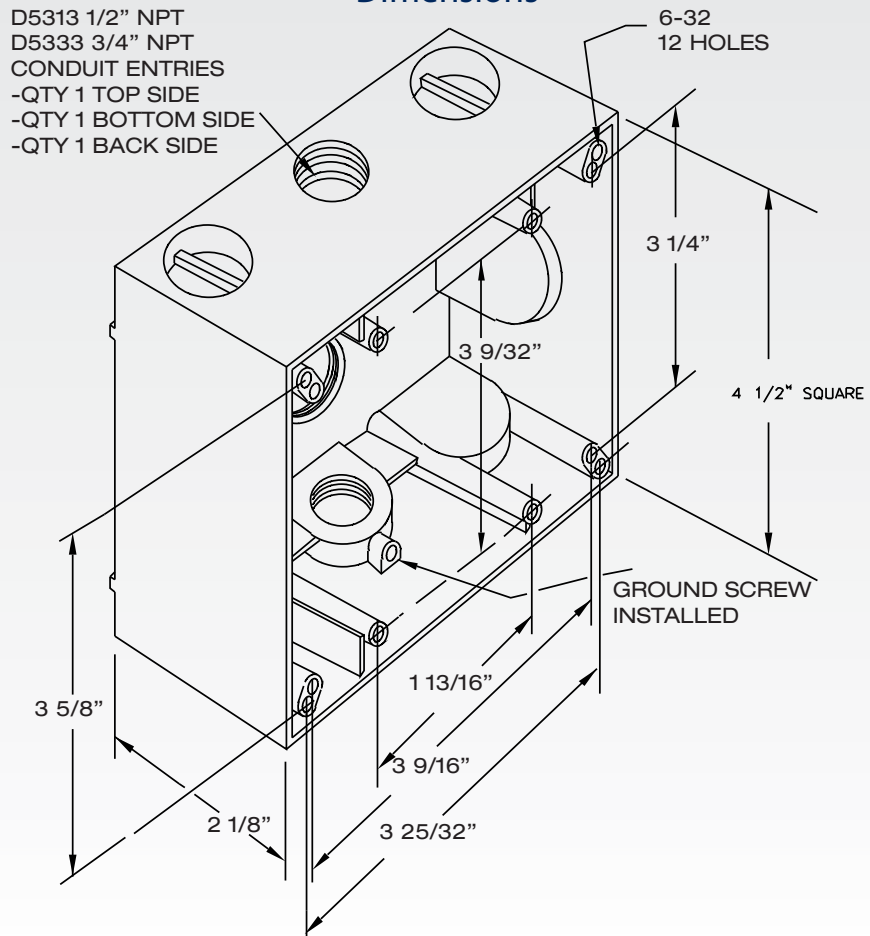
D5313 - 1/2" CONDUIT ENTRY  
D5333 - 3/4" CONDUIT ENTRY

BOX

RAB  
DESIGN



Dimensions



[www.rabdesign.ca](http://www.rabdesign.ca)