



FW4-2T5 WET LOCATION FLUORESCENT

The FW4 fluorescent fixture is designed for rough service and wet location applications. The FW4 has a low profile 3-3/4" (10cm) polycarbonate enclosure and lens, which is vandal resistant and UV stabilized. All hardware is rust proof. Ideal for tunnels, canopies, shipping docks, refrigerated areas or any non-hazardous environment that requires a wet location listing. Each unit is shipped with spare lens clips. Every box has a template for ease of marking for a faster installation. Also available in a T8 in a 2 foot and 4 foot version. Please see FW2-2T8 and FW4-2T8.

HOUSING Polycarbonate, UV stabilized. Conduit entries at either end.

LENS Polycarbonate, UV stabilized, and is retained to the housing with ten clips.

REFLECTOR Specular aluminum reflector and is tethered to the housing for ease of installation.

BALLAST Electronic instant start 120/277, 347 ballast for 2 T5 lamps. Ballast has quick disconnects for ease of ballast replacement.



INSTALLATION For ceiling, surface or pendant mounting.

HARDWARE All hardware is rust proof.

LAMPS Not included.

OPTIONS Stainless steel clips, shipped separately.

RATING IP65, NEMA 4x

APPROVAL cULus

Catalog Code

FW4

2T5

2T5 - 54 watt T5 lamps*

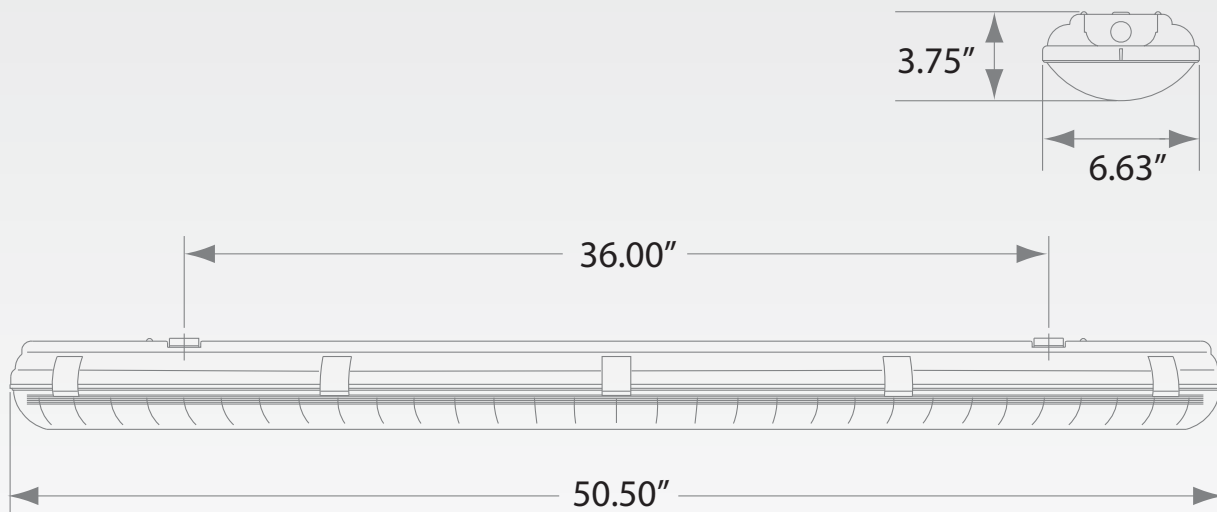
LAMP

120/277 - 120/277 electronic ballast

BALLAST 347 - 347 electronic ballast

* Lamps not included

Dimensions



1208