



R100 PAR38 HOLDER

The R100 is a rugged PAR38 incandescent flood holder, rated up to 150 watts. The R100 is made from die cast aluminum. Ideal for use on sides of buildings to provide perimeter lighting. Can also be used with Rab Design outdoor Sensors.

HOUSING Die cast aluminum with a powder coat paint finish.

SOCKET Medium base porcelain socket.

SWIVEL Fully adjustable with serrated teeth for locking in place. 1/2" NPS threaded arm with locking nut. Mounts to standard covers.

GASKET Silicone gasket.

LAMP Not included.

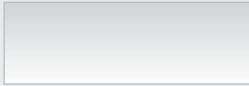
FINISH All units have a powder coat paint finish. Standard colours are Silver/Grey, Black, Architectural Bronze and White. Custom colours are available, Please consult factory.

ACCESSORIES The following accessories are ordered separately. DC100 and DC103 cover and any outdoor sensor from Rab Design.

APPROVAL cULus



Catalog Code



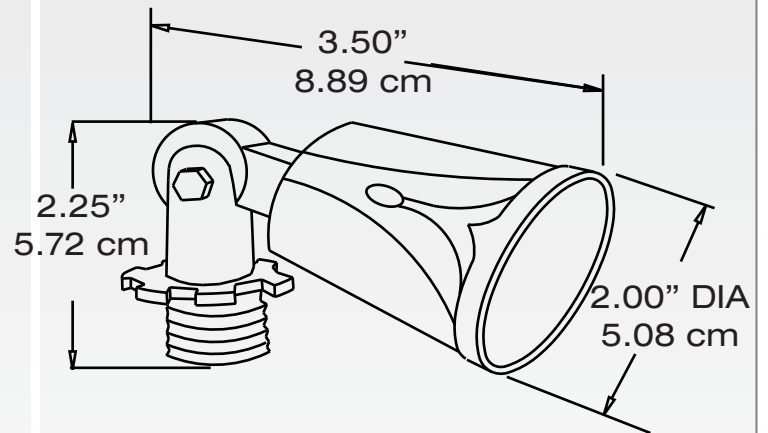
- R100 - SILVER GREY
- R100B - BLACK
- R100R - ARCHITECTURAL
BRONZE
- R100W - WHITE

LAMPS NOT INCLUDED

RAB DESIGN



Dimensions



www.rabdesign.ca