



Overview

The Genesis line of signals are the smallest, most compact audible-visible emergency signaling devices in the world. About the size of a deck of playing cards, these devices are designed to blend with any decor.

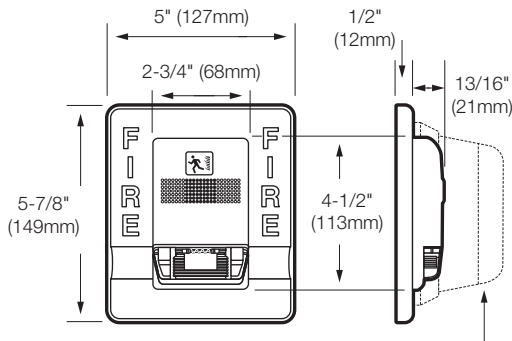
Thanks to patented breakthrough technology, Genesis strobes do not require bulky specular reflectors. Instead, an exclusive mask-and-cavity design channels and conditions light to produce a highly controllable distribution pattern. Intensive development efforts employing this new technology have given rise to a new benchmark in strobe performance – FullLight technology.

Genesis strobes and horn-strobes offer 15 to 110 candela output, which is selectable with a conveniently-located switch on the side of the device. The candela output setting remains clearly visible even after final installation, yet it stays locked in place to prevent unauthorized tampering.

Genesis horn output reaches as high as 99 dB. Unique multiple frequency tone provides excellent wall penetration and an unmistakable warning of danger. Horns may be configured for either coded or non-coded signal circuits. They can also be set for low dB output with a jumper cut that reduces horn output by about 5 dB.

See Catalogue Sheets 85001-0573 and 85001-0545 for technical specifications.

Installation and Mounting



Genesis Horn/Strobe shown with optional Trimplate for two-gang, octagonal, or four-inch square electrical boxes. Trimplate available with optional "FIRE" markings.

Dotted line indicates standard horn/strobe profile.

Standard Features

- Field selectable light output
- The most compact UL-1971/ULC-S526 listed strobe available
- Attractive ultra-slim appearance
- Fits all standard one-gang electrical boxes with room for extra wire
- Optional trim plate
 - Accommodates two-gang, octagonal, or four-inch square electrical boxes
- Exclusive FullLight strobe technology
 - Produces the industry's most even light distribution
- Independent horn control provided over a single pair of wires
- Multiple frequency tone improves wall penetration

Ordering Information

Cat. No.		Description
White	Red	
G1-HDVM	G1R-HDVM	Genesis Horn-Strobe (selectable 15, 30, 75 or 110 cd output, selectable high/low dB output)
G1-VM	G1R-VM	Genesis Strobe (selectable 15, 30, 75 or 110 cd output)
G1-HD	G1R-HD	Genesis Temporal Horn (selectable high/low dB output)
G1-P	G1R-P	Genesis Steady Horn (not compatible with Genesis Signal Master)

Accessories		Description
G1M		Genesis Signal Master-Snap-on Mount
G1M-RM		Genesis Signal Master-Remote Mount (1-gang)
27193-16	27193-11	One-gang Surface Mount Box
G1T	G1RT	Genesis Trim Plate (for 2-gang or 4" square boxes)
G1T-FIRE	G1RT-FIRE	Genesis Trim Plate with "FIRE" markings (for 2-gang or 4" square boxes)
G1T-SB	G1RT-SB	Surface box used for surface mounting Genesis and trim plate

Note: To add "FIRE" marking to any Genesis device, add "F" to prefix. eg. G1F-HDVM

Genesis® Horns & Strobes

Wall Mount G1 Series



Light Distribution



Genesis Strobe



Competitor's Strobe

