

MB Series Bells



FEATURES

- MOUNTS TO A STANDARD 4" SQUARE ELECTRICAL BOX
- WIRE LEAD DESIGN
- HIGH QUALITY MICROMOTOR
- LOUD RESONANT TONES
- LOW CURRENT DRAW
- "FIRE RED" FINISH

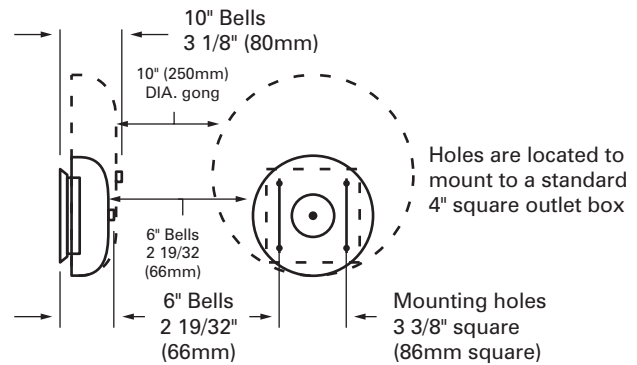
DESCRIPTION

Edwards MB Series Motor Driven Bells are specially designed for fire alarm applications. The gongs are made from select alloy steel chosen to give the loud, resonant tones necessary in fire alarm and life safety systems. Two sizes of gongs are available to help overcome different ambient noise levels.

Edwards MB bells are the "under-dome" type and use heavy duty mechanisms. The bell's base and gong are finished with a durable "Fire Red" baking enamel.

All MB bells mount on any standard North-American square electrical box. Field wiring connections are made to colour-coded leads.

INSTALLATION AND MOUNTING



ORDERING INFORMATION

Cat. No.	Description
MB6-24	6" (150mm) Fire Alarm Bell, Red Finish 89dB at 10'-0", 30 mA
MB10-24	10" (250mm) Fire Alarm Bell, Red Finish 94dB at 10'-0", 30 mA
MBFP-2	Flush mounting plate, Red Finish
BBX-4	Weatherproof mounting box

439D Series Bells



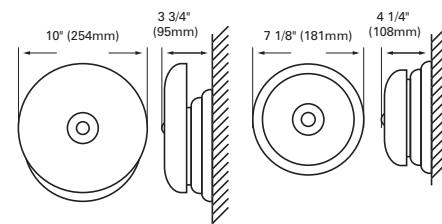
FEATURES

- HEAVY-DUTY MECHANISM
- 24VDC POLARIZED CIRCUIT
- VIBRATING TONE
- EASY TO INSTALL
- ULC LISTED

DESCRIPTION

Edwards bells are specially designed using selected alloy steel to give a loud, vibrating resonant tone, distinctive in fire alarm systems. Two standard sizes are available to overcome different ambient noise levels. Each bell is supplied with a mounting plate that fits any standard electrical box.

INSTALLATION AND MOUNTING



ORDERING INFORMATION

Cat. No.	Description
439D-6AWC	6" Bell, 92dB at 10'-0", 85 mA
439D-10AWC	10" Bell, 94dB at 10'-0", 85 mA
449	Weatherproof back box for 439D series bells.