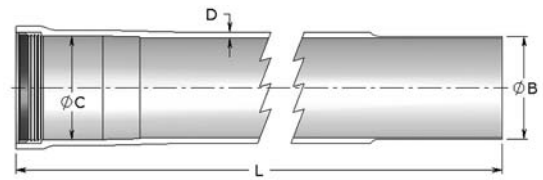


# ABOVE GROUND



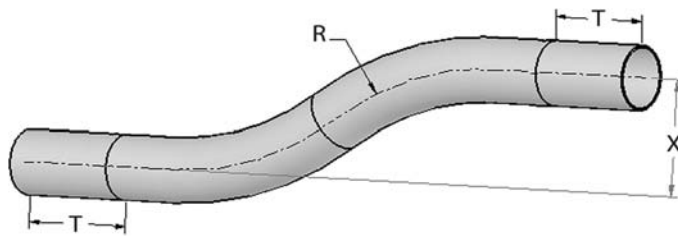
## ID SW RISERWAY

Size	Symbol	ØB	ØC	D	L	ØB	ØC	D	L	
in	mm	inches				millimeters				
	No.									
2 ❖	53	20-2440	2.140	2.170	0.235	118	54.4	55.1	6.0	3
2½ ❖	63	20-2940	2.640	2.670	0.235	118	67.1	67.8	6.0	3
3 ❖	78	20-3440	3.140	3.170	0.235	118	79.8	80.5	6.0	3
3½ ❖	91	20-3940	3.640	3.670	0.235	118	92.5	93.2	6.0	3
4 ❖	103	20-4440	4.140	4.170	0.235	118	105.2	105.9	6.0	3
4½ ❖	116	20-4940	4.690	4.730	0.235	118	119.1	120.1	6.0	3
5 ❖	129	20-5440	5.190	5.230	0.235	118	131.8	132.8	6.0	3
6 ❖	155	20-6440	6.190	6.230	0.235	118	157.2	158.2	6.0	3



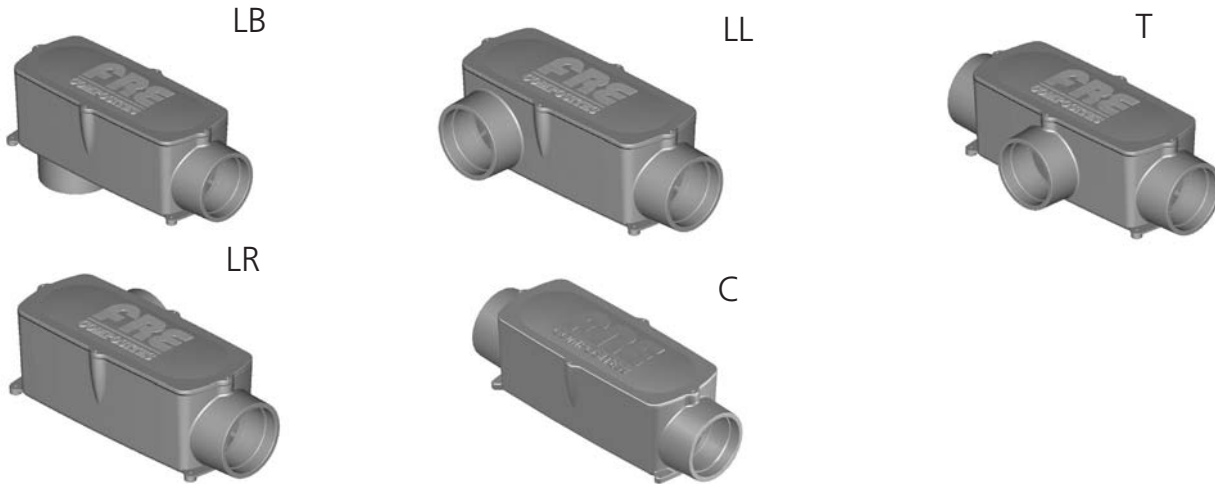
## ID SW OFFSET ELBOW

Size	Symbol
	No.
all	special



## ID SW CONDUIT BODIES

ID SW



Size	Part number					Length	Width	Depth	Length	Width	Depth	
in	mm	LB	LL	LR	T	C	inches			millimeters		
2	53	20-2091	20-2092	20-2093	20-2094	20-2095	8.75	3.88	3.34	222	99	85
2½	63	20-2591	20-2592	20-2593	20-2594	20-2595	9.88	4.38	3.75	251	111	95
3	78	20-3091	20-3092	20-3093	20-3094	20-3095	11.88	5.13	4.38	302	130	111
3½	91	20-3591	20-3592	20-3593	20-3594	20-3595	13.75	5.75	5.00	349	146	127
4*	103	20-4091	20-4092	20-4093	20-4094	20-4095	16.38	7.00	6.25	416	178	159

\* Consult factory for availability

❖ Not UL Listed, CSA Certified or NEMA compliant.

