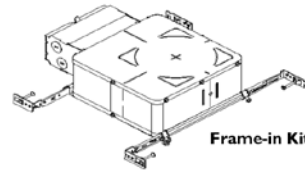
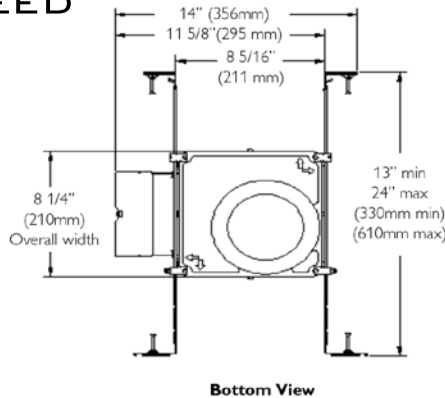
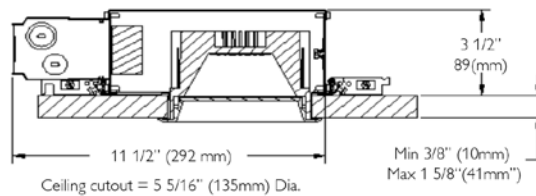


Project:	Catalog No:	Mfg:
Location:	Fixture Type:	Qty:
Notes:		Lamps:



Light Engine



Trim



Complete fixture consists of frame-in kit, LED Light engine and lensed downlight or slope wall washer trim. Select each separately.

LED frame-in kits	LED light engines	Round trims (see individual trim kit specification sheet)	
1050LRN09D1*	1050LRN0927	Lensed downlight	
	1050LRN0935	Lensed slope/wall washer	
1050LRN06D1*	1050LRN0627 1050LRN0635	1050LRNDLWB (white baffle, white flange)	1050LRNSLWWB (white baffle, white flange)
		1050LRNDLCDW (clear diffuse, white flange)	1050LRNSLWCDW (clear diffuse, white flange)
		1050LRNDLCDP (clear diffuse, clear diffuse flange)	1050LRNSLWCDP (clear diffuse, clear diffuse flange)
		1050LRNDLWC (white cone, white flange)	1050LRNSLWWC (white cone, white flange)

* All frames come standard with preset mounting screws. Simply add "N" to the end of the model number for preset nails.

Features

- Housing:** .026" 23ga galvanized steel. cULus listed for direct contact with thermal insulation. Airseal® housing minimizes air leakage to less than 2 CFM at 1.57PSF (or 75PA), which complies with Title 24, the International Energy Conservation Code, and Washington State Energy Code (Section 502.4). This reduces heat loss and condensation in ceiling. Access door for inspection of junction box.
- Lower frame and top cover:** .026" 23ga galvanized steel. Accommodates ceilings up to 1 5/8" (41mm) thick. 3/8" (9.5mm) deep integral lip with four notches at 90° apart to simplify alignment. Locks into position along length of mounting bars with locking screws. Indicator lines on housing top and sides to simplify alignment.
- Retaining clips:** Permit easy and fast installation of light engine junction box: 2 1/2" (64mm) x 5 3/8" (137mm) x 2" (51mm) .032" 21ga. Galvanized steel. cULus listed 90° C supply conductors. Rated for branch circuit wiring supplying connected luminaires (daisy chaining).
- Mounting bars:** .059" 16 ga. Galvanized steel. Bars pivot for easy attachment and wire-in below ceiling line. Bars extend to accommodate 16" (406mm) to 24" (610mm) O.C. joist spacing. Bars can accommodate 12" (305mm) O.C. joist spacing after a slight field modification. (See Instruction sheet). Features integral self tapping phillips/square drive SCREWS for secure attachment to wood or metal construction. Also available with integral NAILS. Attaches to T-bar ceilings without the need of accessories. Bars installed on shortest dimension of frame, but can be easily repositioned 90 degrees from original position.
- Electronic dimmer driver:** 120V 50/60Hz.; overload and short circuit protected; thermal regulation to protect against overheating; sound rating "A"; -20°C (-4°F) minimum starting temperature. Complies with FCC rules per title 47 CFR part 15 (Class B) for EMI/RFI (conducted and radiated) at full load. Dimmable with standard electronic low voltage circuit protected; thermal regulation to protect against overheating; sound rating "A"; -20°C (-4°F) minimum starting temperature. Complies with FCC rules per title 47 CFR part 15 (Class B) for EMI/RFI (conducted and radiated) at full load. Dimmable with standard electronic low voltage dimmer.

Electrical

(See recommended dimmers)

Input volts	Input freq.	Input current	Input power + 5%	Power factor
1050LRN09 Series				
120V	50/60Hz	0.17	20W	> .9
1050LRN06 Series				
120V	50/60Hz	0.15	16W	> .9

Recommended dimmers

See LED-DIM specification sheet.

Labels

cULus Listed Type I.C., frames are suitable for damp location. Trims are suitable for wet location. Complies with Air Leakage. Title 24 (900 lumen only) Energy Star (900 lumen downlight only) 5 year warranty.

