

CL Series

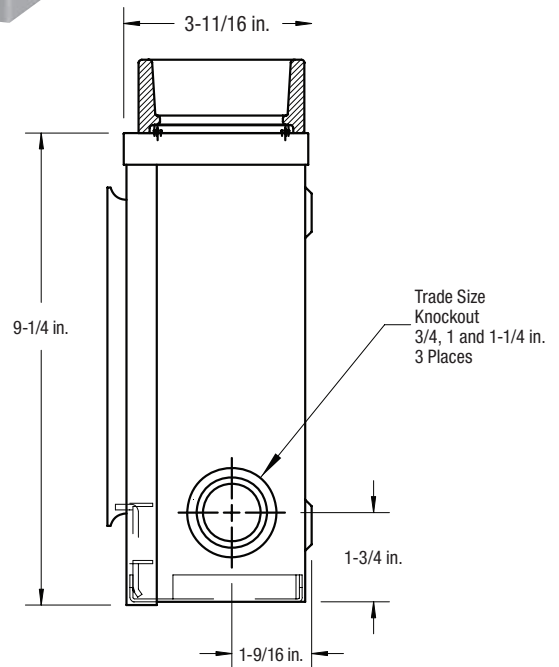
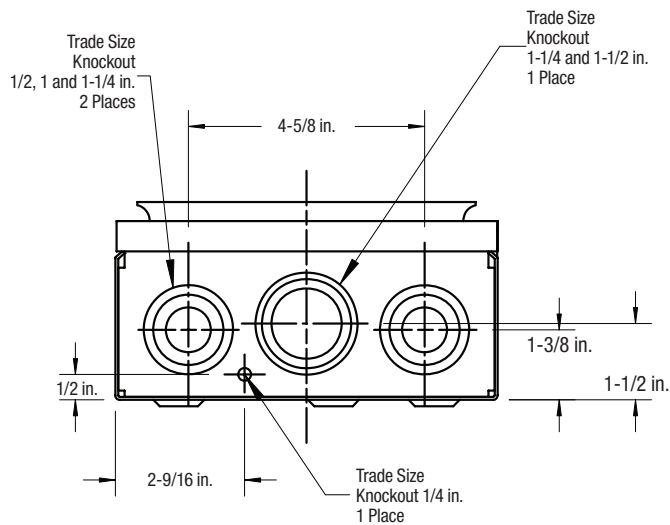
20 A 600 V; Transformer Rated


Product Specifications

- Conductor range: 14-10 AWG
- Aluminum tunnel type connectors for both load and line sides
- Circuit closing feature to short out current transformer upon removal of meter
- For overhead hub opening only
- Supplied with screw type ring
- Weatherproof Type 3R enclosure
- Primarily used in: Sask., Man., Ont., N.B., N.S., P.E.I., Nfld.



(CL4-V)



 Approved for copper only

Cat. No.	Description	Dimensions (in.)			Weight Each	
		H	W	D	lb.	kg
4 JAW						
CL4-V	Circuit closing on left side	9-1/4	7-5/8	3-11/16	7	3.1
CL4-LRV	Circuit closing both left and right sides					
CL4-TV	Circuit closing on left side, no hub opening					
5 JAW						
CL5-V	Circuit closing on left side (Lower right hand jaw is a support only)	9-1/4	7-5/8	3-11/16	7	3.1
6 JAW						
CL6-LRV	Circuit closing both left and right sides	9-1/4	7-5/8	3-11/16	7	3.1

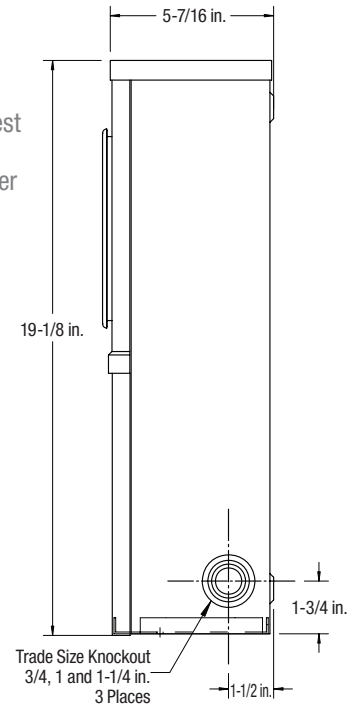
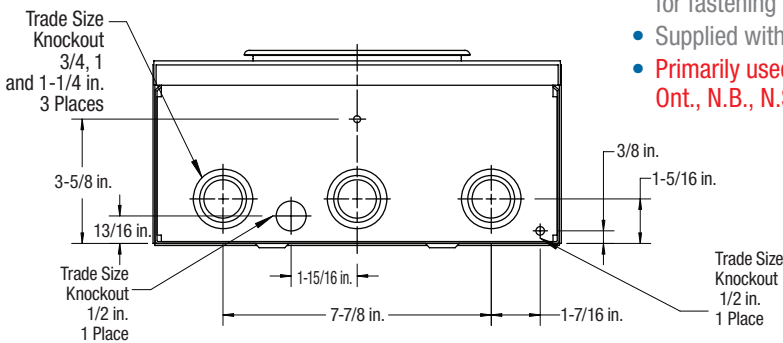


CT Series

20 A 600 V; Transformer Rated c/w Compartment for Test Switch

Product Specifications

- Conductor range: 14-10 AWG
- Tunnel type connectors for both load and line sides
- For underground service only
- Meter compartment cover overlaps lower test switch compartment cover; insertion of meter securely holds upper cover in place by means of a catch
- Lower test switch compartment cover securely held by upper cover and a catch at bottom
- A removable mounting bridge is provided for fastening test switch
- Supplied with screw type ring
- **Primarily used in: AB, Sask., Man., Ont., N.B., N.S., P.E.I.**



Approved for copper only

Cat. No.	Description	Dimensions (in.)			Weight Each	
		H	W	D	lb.	kg
4 JAW						
CT104	Unwired unit with test switch provision	19-1/8	11-13/16	5-7/16	16	7.2
5 JAW						
CT105	Unwired unit with test switch provision	19-1/8	11-13/16	5-7/16	16	7.2
8 JAW						
CT108	Unwired unit with test switch provision	19-1/8	11-13/16	5-7/16	18	8.1
13 JAW						
CT113	Unwired unit with test switch provision	19-1/8	11-13/16	5-7/16	19	8.6

Lower test switch compartment cover securely held by upper cover and a out device with an enlarged pad hole (0.375 in. dia.)

Approved for copper only

Cat. No.	Description	Dimensions (in.)			Weight Each	
		H	W	D	lb.	kg
5 JAW						
CT105-L	BC Hydro approved with SWL cover with enlarged padlock hole	19-1/8	11-13/16	5-7/16	16	7.2
8 JAW						
CT108-L	BC Hydro approved with SWL cover with enlarged padlock hole	19-1/8	11-13/16	5-7/16	18	8.1
13 JAW						
CT113-L	BC Hydro approved with SWL cover with enlarged padlock hole	19-1/8	11-13/16	5-7/16	19	8.6

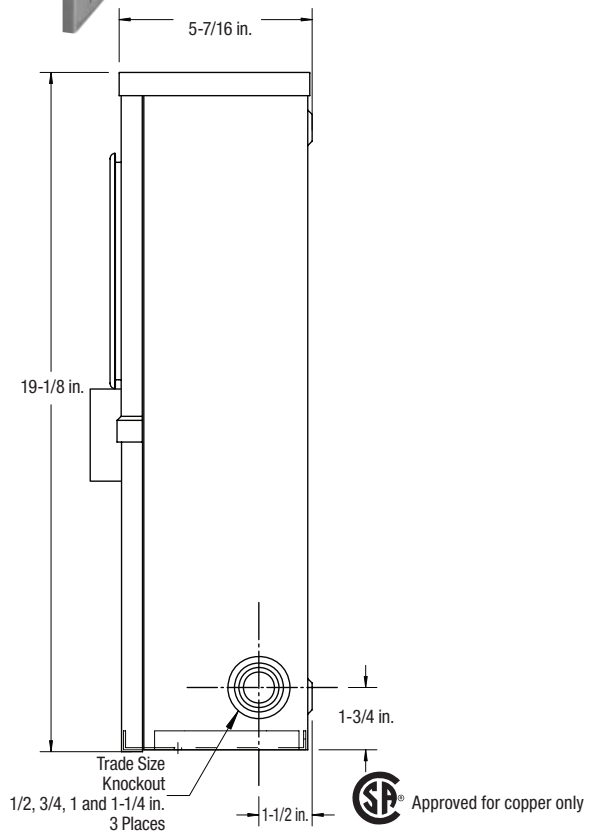
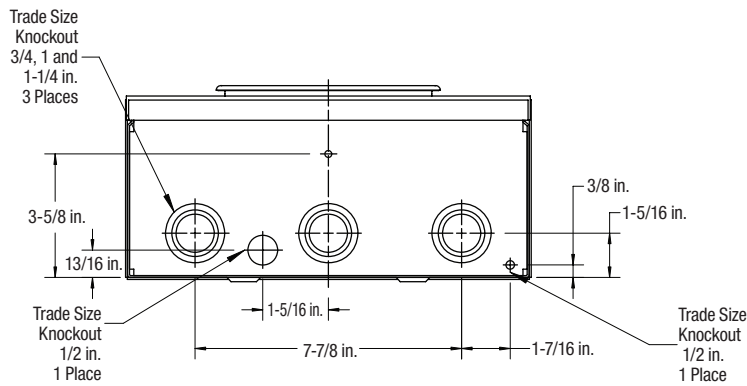
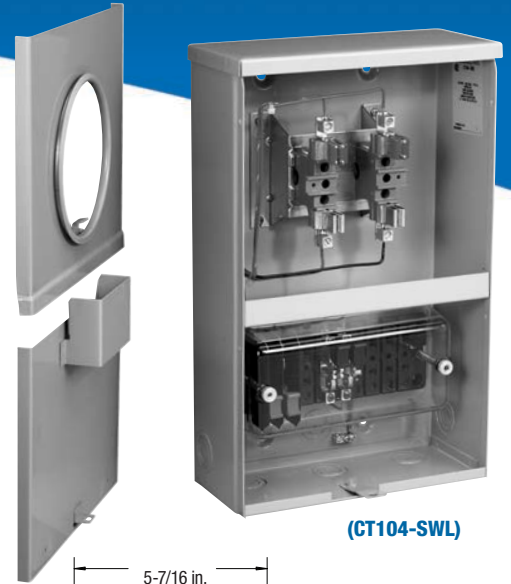


CT-SWL Series

20 A 600 V; Transformer Rated c/w Test Switch

Product Specifications

- Conductor range: 14-10 AWG
- Tunnel type connectors for both load and line sides
- For underground service only
- Lower test switch compartment cover securely held by upper cover and a out device with an enlarged pad hole (0.375 in. dia.)
- Test switch included as part of these models
- Units are prewired from base to test switch
- Furnished with tamper resistant device for meter ring
- Weatherproof Type 3R enclosure
- **Primarily used in: Alberta**
(CT104-5SWLHQ for Hydro-Québec only)



Cat. No.	Description	Dimensions (in.)			Weight Each	
		H	W	D	lb.	kg
4 JAW						
CT104-SWL	Factory prewired unit with lockout device on bottom door	19-1/8	11-13/16	5-7/16	18	8.2
CT104-6SWL	Factory prewired unit with lockout device on bottom door (Enmax approved) 5 th Jaw in 6 o'clock position					
CT104-5SWLHQ	Hydro-Québec approved 20 A current transformer meter socket	18	8-1/4	4-1/2	11	5.4
5 JAW						
CT105-SLHO	Hydro One approved 20 A current transformer meter socket	19-1/8	11-13/16	5-7/16	18	8.2
6 JAW						
CT106-SWL	Factory prewired unit with lockout device on bottom door	19-1/8	11-13/16	5-7/16	21	9.5
13 JAW						
CT113-SWL	Factory prewired unit with lockout device on bottom door	19-1/8	11-13/16	5-7/16	21	9.5