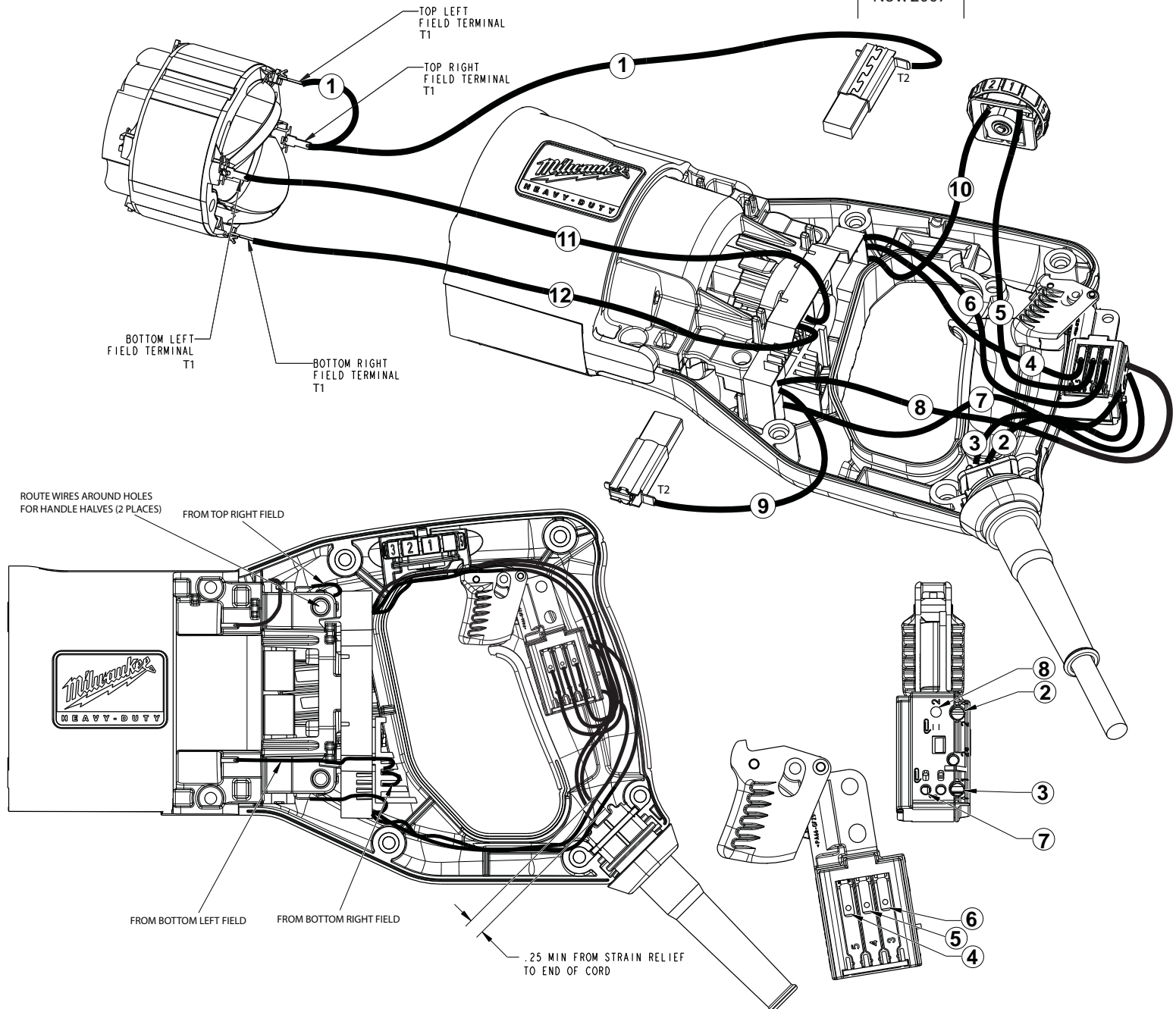


WIRING INSTRUCTIONS

TITLE MILWAUKEE ELECTRIC TOOL CORP. 13135 WEST LISBON RD. BROOKFIELD, WIS.	SAWZALL® DATE Nov. 2007	BULLETIN 58-01-0061
--	--------------------------------------	-------------------------------



Wire No.	Wire Color	Origin or Part No.	Length	Terminals, Connectors and End Wire Preparation
1	White	23-94-7425	--	
2	Black	Cord Assembly	3.5	Strip .35 and tin.
3	White	Cord Assembly	3.0	Strip .35 and tin.
4	Red	Remote Electronics Assembly	--	
5	Black	Remote Electronics Assembly	--	
6	White	Remote Electronics Assembly	--	
7	White	Remote Electronics Assembly	--	
8	Black	Remote Electronics Assembly	--	
9	Black	Remote Electronics Assembly	--	
10	Black	Remote Electronics Assembly	--	
11	Yellow	Remote Electronics Assembly	--	
12	Yellow	Remote Electronics Assembly	--	

NOTES:
 TERMINALS MAY BE SECURED WITH BARRELS FACING IN OR OUT. (4 PLACES).

NOTE:
 All leads must be held to $\pm 1/8"$.
 All lead lengths are before stripping.

TERMINAL DESCRIPTION		
Code	Part No.	Qty.
T1	23-74-1060	4
T2	23-74-0605	2