



2013, October 2
data subject to change

The next generation in sustainable lighting

T8 Tube Specifier Series LED

Philips T8 Tube Specifier lamp is a LED replacement for existing 2 and 4 foot linear fluorescent fixtures and provides up to 40% energy savings over T12. With long life, low energy consumption and no mercury, Philips T8 is the next generation in sustainable lighting.

Benefits

- Long Life– L70 is 40,000 hours
- Glass-free for safer working conditions
- No mercury allowing for non-hazardous waste disposal
- Emits virtually no UV rays

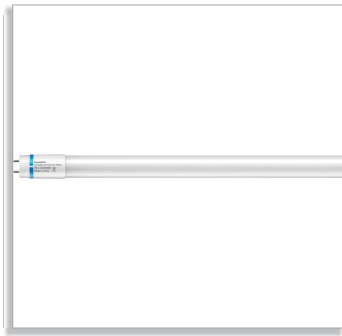
Features

- Simple re-wire drop in replacement allows for quick installation
- Patented safety technology that electrically separates the end caps, allowing for a safer operating environment
- Full light output down to -22°F (-30°C)
- Available in 2ft and 4ft T8 types, offering a color choice of either 835 or 840



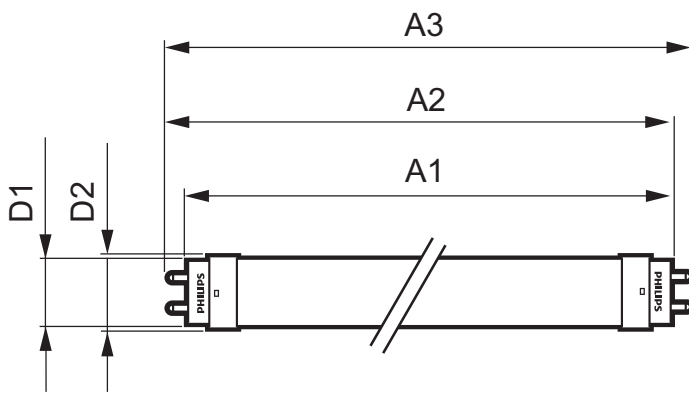
PHILIPS

Related products



MASTER LEDtube Performer 14.5 W
1200 mm

Dimensional drawing



14.5T8/48-3000 IF 10/1

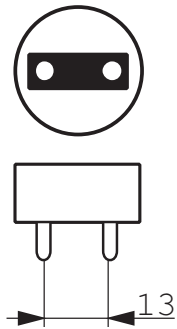
Product	A1 (Norm)	A2 (Norm)	A3 (Norm)	D1 (Norm)	D2 (Norm)
TLED 1200mm 14.5W G13/830	1200	1205.0	1212.0	-	-
TLED 1200mm 14.5W G13/840	1200	1205.0	1212.0	-	-
TLED 1200mm 14.5W G13/850	1200	1205.0	1212.0	-	-

General Characteristics

Product number	Full product name	Cap-Base	Rated Avg. Life (Hours)
433060	14.5T8/48-3000 IF 10/1	G13	40000 hr
433078	14.5T8/48-4000 IF 10/1	G13	40000 hr

Product number	Full product name	Cap-Base	Rated Avg. Life (Hours)
433086	14.5T8/48-5000 IF 10/1	G13	40000 hr

Installation diagrams



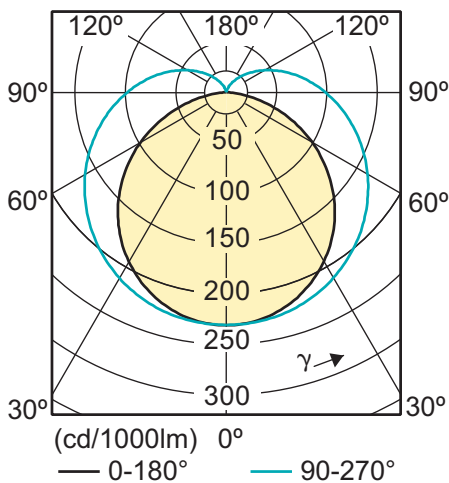
G13

Light Technical Characteristics

Product number	Full product name	Color Code	Beam Angle	Approximate Lumens	CRI	Rated Luminous Flux
433060	14.5T8/48-3000 IF 10/1	830	160 D	1500 Lm	83	1500 Lm
433078	14.5T8/48-4000 IF 10/1	840	160 D	1600 Lm	83	1600 Lm

Product number	Full product name	Color Code	Beam Angle	Approximate Lumens	CRI	Rated Luminous Flux
433086	14.5T8/48-5000 IF 10/1	850	160 D	1650 Lm	-	1650 Lm

Light technical



MASTER LEDtube Performer 14.5 W 1200 mm

Electrical Characteristics

Product number	Full product name	Wattage	Voltage	Dimmable
433060	14.5T8/48-3000 IF 10/1	14.5 W	100-240 V	No
433078	14.5T8/48-4000 IF 10/1	14.5 W	100-240 V	No
433086	14.5T8/48-5000 IF 10/1	14.5 W	100-240 V	-

Measuring Conditions

Product number	Full product name	Switching cycle
433060	14.5T8/48-3000 IF 10/1	50000
433078	14.5T8/48-4000 IF 10/1	50000

Temperature Characteristics

Product number	Full product name	T-case maximum	Operating temperature	T-Storage
433060	14.5T8/48-3000 IF 10/1	55 (max) C	-30 (min), 45 (max) C	-40 (min), 65 (max) C
433078	14.5T8/48-4000 IF 10/1	55 (max) C	-30 (min), 45 (max) C	-40 (min), 65 (max) C
433086	14.5T8/48-5000 IF 10/1	55 (max) C	-30 (min), 45 (max) C	-40 (min), 65 (max) C



© 2013 Koninklijke Philips N.V. (Royal Philips)
All rights reserved.

Specifications are subject to change without notice. Trademarks are the property of Koninklijke Philips N.V. (Royal Philips) or their respective owners.

www.philips.com/lighting

2013, October 2
data subject to change