



## A smooth design solution for a seamless look

### BR LED with AirFlux Technology

Philips BR Dimmable LED Lamps with AirFlux technology provide a soft, diffused level of light and smooth dimming to reduce glare. The sleek, lightweight design is ideal for downlighting.

#### Benefits

- 13W EnduraLED BR30 saves 52 watts of energy when compared to a 65W halogen BR30†
- ENERGY STAR Qualified®
- Emits virtually no UV/IR light in the beam
- Contains no mercury
- Lowers site maintenance costs by reducing re-lamp frequency
- 3-year or 5-year limited warranty depending upon operating hours

#### Features

- BR30 and BR40 lamp types available
- 25,000-hour rated average life<sup>1</sup>
- Excellent color rendering of 82 CRI
- Smooth dimming to 10% of full light levels\*
- Instant-on light



**PHILIPS**

Related products



BR30 LED, E26



8W R20 E26

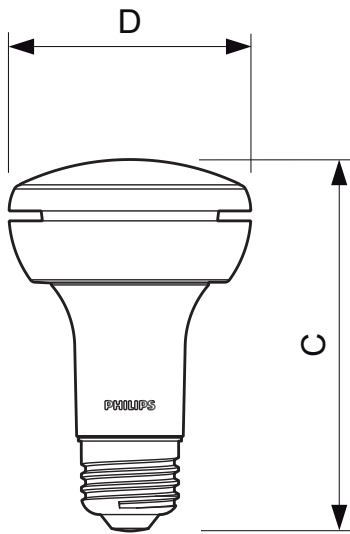


12W E26 BR40

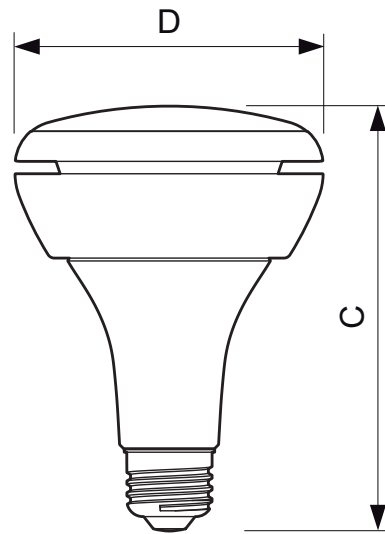


9.5 W E26 BR30

Dimensional drawing

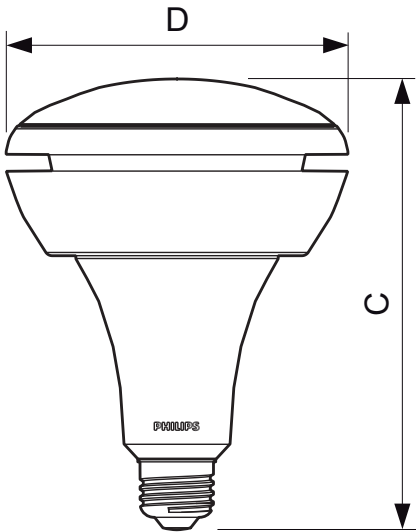


8R20/F90 2700 DIM 6/1

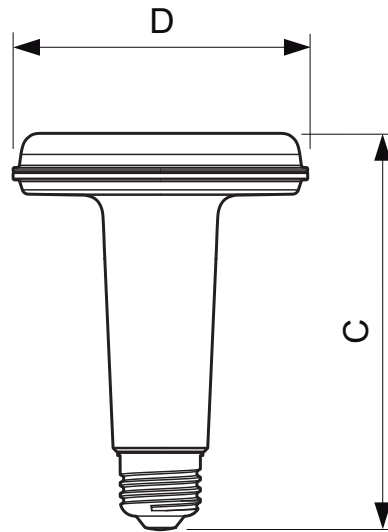


10,5BR30/F90 2700 DIM AF 6/1

## Dimensional drawing



12BR40/F90 2700 DIM AF 6/1



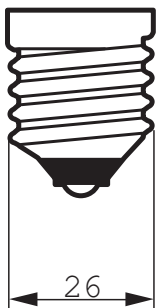
9.5BR30/SLIM/2700 DIM 120V

## General Characteristics

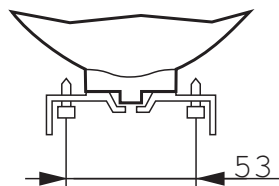
Product number	Full product name	Cap-Base	Bulb	Rated Avg. Life (Hours)
293878	10,5BR30/F90 2700 DIM AF 6/1	E26	BR30	25000 hr

Product number	Full product name	Cap-Base	Bulb	Rated Avg. Life (Hours)
428813	8R20/F90 2700 DIM 6/1	E26	R20	25000 hr
431940	12BR40/F90 2700 DIM AF 6/1	E26	BR40	25000 hr
452367	9.5BR30/SLIM/2700 DIM 120V	E26	BR30	25000 hr

## Installation diagrams



E26



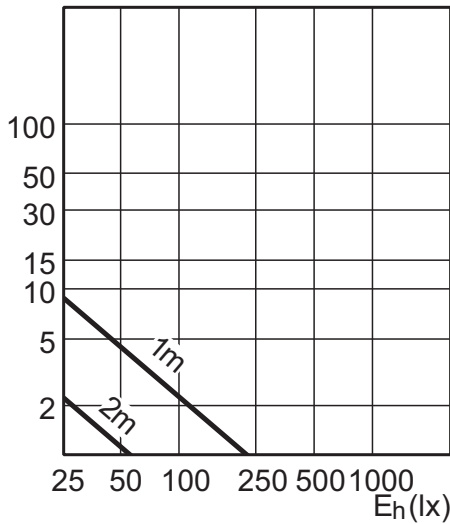
GU5.3

## Light Technical Characteristics

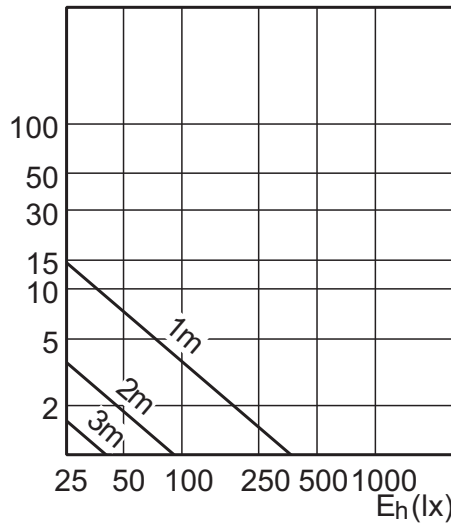
Product number	Full product name	Color Code	Beam Angle	Approx. MBCP	CRI	Color Temp. (Kelvin)	Rated Luminous Flux
293878	10,5BR30/F90 2700 DIM AF 6/1	WW	90 D	cd	81	2700 K	730 Lm

Product number	Full product name	Color Code	Beam Angle	Approx. MBCP	CRI	Color Temp. (Kelvin)	Rated Luminous Flux
428813	8R20/F90 2700 DIM 6/1	WH	90 D	cd	80	2700 K	530 Lm
431940	12BR40/F90 2700 DIM AF 6/1	WW	90 D	cd	82	2700 K	800 Lm
452367	9.5BR30/SLIM/2700 DIM 120V	WW	110 D	-	80	2700 K	650 Lm

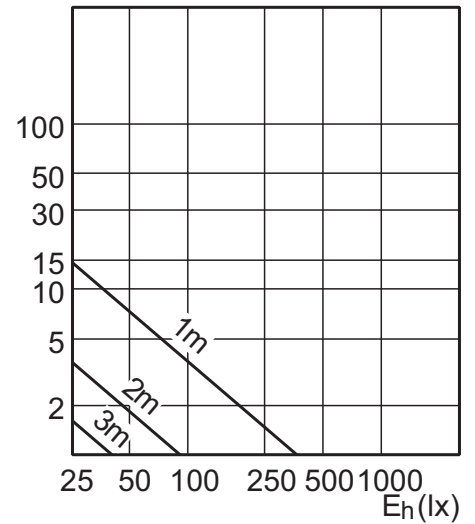
Light technical



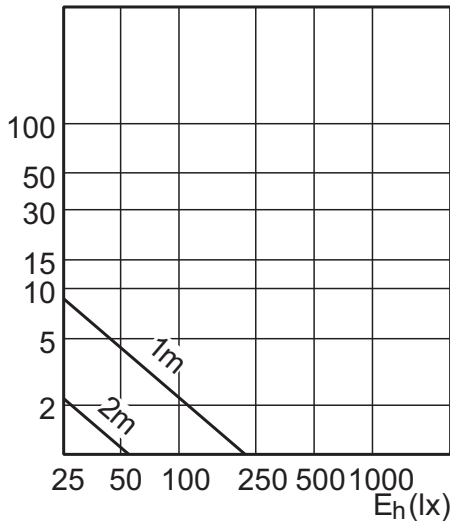
8W R20 E26 WH 2700K 90D



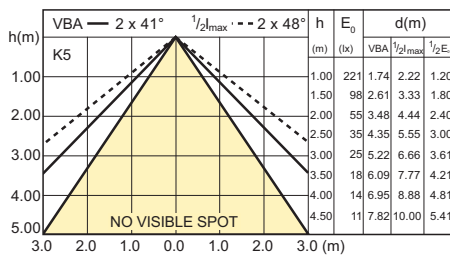
10.5W E26 2700K 90D BR30



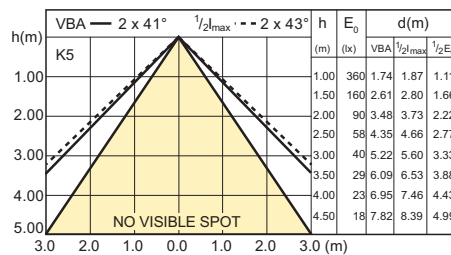
12W BR40 E26 WH 2700K 90D



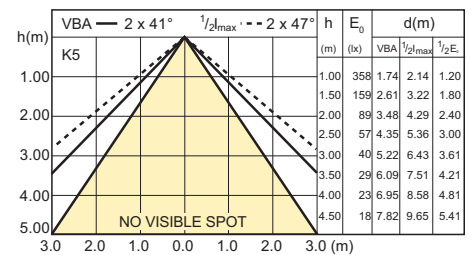
9.5 W BR30 SS E26 WW 2700K 110D



8W R20 E26 WH 2700K 90D

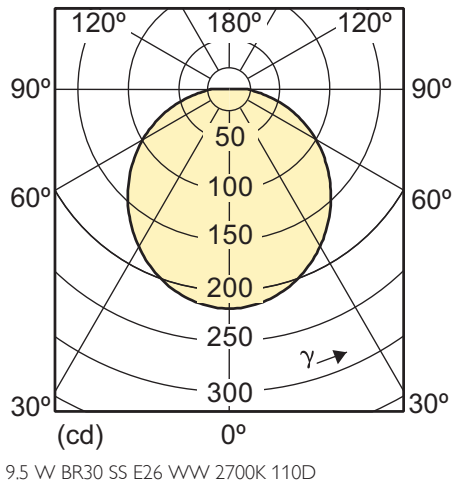
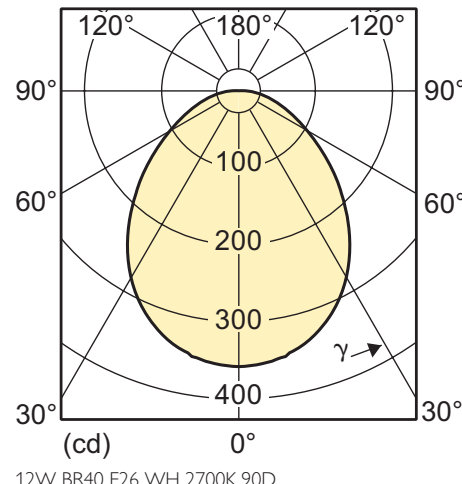
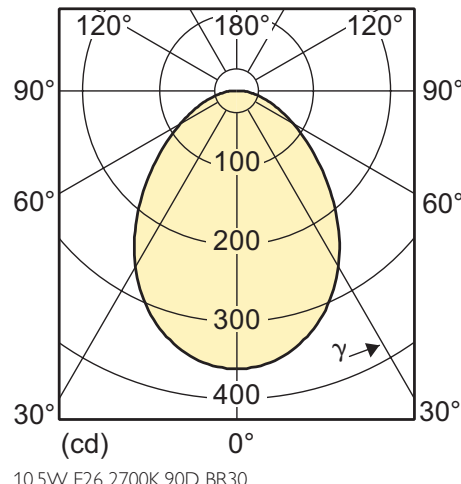
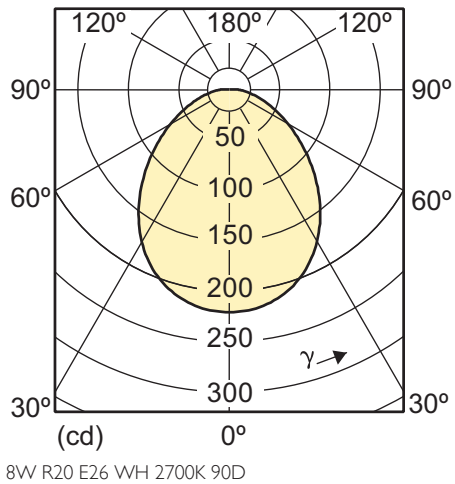
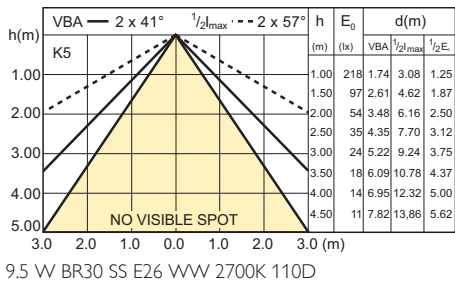


10.5W E26 2700K 90D BR30



12W BR40 E26 WH 2700K 90D

Light technical



Electrical Characteristics

Product number	Full product name	Wattage	Voltage	Line Frequency	Dimmable	Wattage Equivalent	Starting Time
293878	10.5BR30/F90 2700 DIM AF 6/1	10.5 W	120 V	60 Hz	Yes	65 W	0.5 (max) s
428813	8R20/F90 2700 DIM 6/1	8 W	120 V	60 Hz	Yes	50 W	0.5 s
431940	12BR40/F90 2700 DIM AF 6/1	12 W	120 V	60 Hz	Yes	75 W	0.5 (max) s
452367	9.5BR30/SLIM/2700 DIM 120V	9.5 W	120 V	60 Hz	Yes	65 W	0.5 (max) s

## Environmental characteristics

Product number	Full product name	Energy consumption kWh/1000h
293878	10,5BR30/F90 2700 DIM AF 6/1	11 kWh
428813	8R20/F90 2700 DIM 6/1	8 kWh
431940	12BR40/F90 2700 DIM AF 6/1	12 kWh
452367	9.5BR30/SLIM/2700 DIM 120V	10 kWh

## Measuring Conditions

Product number	Full product name	Switching cycle
293878	10,5BR30/F90 2700 DIM AF 6/1	15000X
428813	8R20/F90 2700 DIM 6/1	25000X
431940	12BR40/F90 2700 DIM AF 6/1	15000X
452367	9.5BR30/SLIM/2700 DIM 120V	15000X



© 2014 Koninklijke Philips N.V. (Royal Philips)  
All rights reserved.

Specifications are subject to change without notice. Trademarks are the property of Koninklijke Philips N.V. (Royal Philips) or their respective owners.

[www.philips.com/lighting](http://www.philips.com/lighting)

2014, November 15  
data subject to change