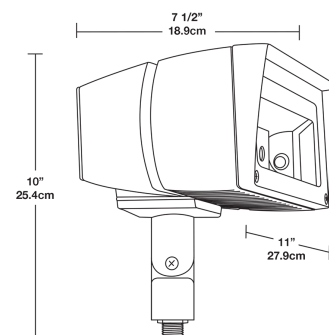


# FFLED39 RCL

Rectangular shaped LED floodlight designed to replace 150W Metal Halide. Patent Pending airflow technology ensures long LED and driver lifespan. Use for building facade lighting, sign lighting, LED landscape lighting and instant-on security lighting.

Color: Bronze

Weight: 12.5 lbs



## LED Info

Watts: 39W  
 Color Temp: 5000K (Cool)  
 Color Accuracy: 65  
 L70 Lifespan: 100000  
 LM79 Lumens: 4,596  
 Efficacy: 112 LPW

## Driver Info

Type: Constant Current  
 120V: 0.35A  
 208V: 0.20A  
 240V: 0.18A  
 277V: 0.15A  
 Input Watts: 41W  
 Efficiency: 95%

## Technical Specifications

### Lumen Maintenance:

100,000-hour LED lifespan based on IES LM-80 results and TM-21 calculations.

### IP Rating:

Ingress Protection rating of IP65 for dust and water.

### NEMA Type:

7H x 6V Beam Spread.

### LEDs:

Two multi-chip, 26Watt high performance LEDs.

### Driver:

Constant Current, Class 2, 1050mA, 100-277V, 50/60Hz, 0.6A, Power Factor 99%

### THD:

7.7% at 120V, 6.8% at 277V

### Surge Protection:

4kV

### Ambient Temperature:

Suitable for use in 40°C ambient temperatures.

### Cold Weather Starting:

The minimum starting temperature is -40°F/-40°C.

### Thermal Management Housing:

Superior heat sinking with external Air-Flow fins.

### Mounting:

Heavy-duty mounting arm with O ring seal & stainless steel screw.

### Color Consistency:

7-step MacAdam Ellipse binning to achieve consistent fixture-to-fixture color.

### Color Stability:

LED color temperature is warranted to shift no more than 200K in CCT over a 5 year period.

### Color Uniformity:

RC's range of CCT (Correlated Color Temperature) follows the guidelines of the American National Standard for (SSL) Products, ANSI C78.377-2008.

### Equivalency:

The FFLED39 is Equivalent in delivered lumens to a 150W Metal Halide.

### Effective Projected Area:

EPA = 0.65

### Reflector:

Specular vacuum-metallized polycarbonate

### Gaskets:

High-temperature silicone gaskets.

### Finish:

Our environmentally friendly polyester powder coatings are formulated for high-durability and long-lasting color, and contains no VOC or toxic heavy metals.

### Green Technology:

Mercury and UV free.

### IESNA LM-79 & LM-80 Testing:

RC LED luminaires have been tested by an independent laboratory in accordance with IESNA LM-79 and LM-80, and have received the Department of Energy Lighting Facts label.



FFLED39 RCL - continued

**California Title 24:**

Select an FFLED39 model equipped with 0-10V driver (look for /D10 in the catalog #) for a 2013 California Title 24 compliant model.

**DLC Listed:**

This product is on the Design Lights Consortium (DLC) Qualified Products List and is eligible for rebates from DLC Member Utilities.

**Warranty:**

RC warrants that our LED products will be free from defects in materials and workmanship for a period of five (5) years from the date of delivery to the end user, including coverage of light output, color stability, driver performance and fixture finish.

**Patents:**

The FFLED design is protected by U.S. Pat. D643,147, Canada Pat. 140798, China Pat. ZL201130171304.1, Mexico Pat. 36757 and pending patent in Taiwan.

**cUL Listing:**

Suitable For Wet Locations. Suitable for ground mounting.

**Threaded Size:**

1/2" threaded arm.

