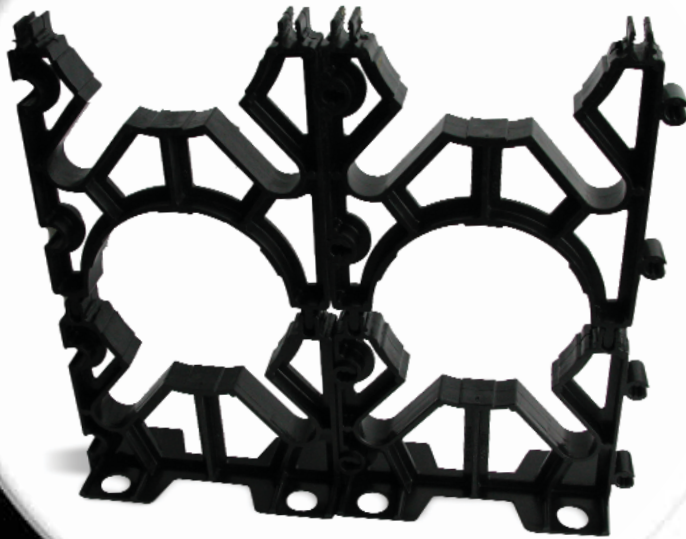


IPEX DUCT SPACERS

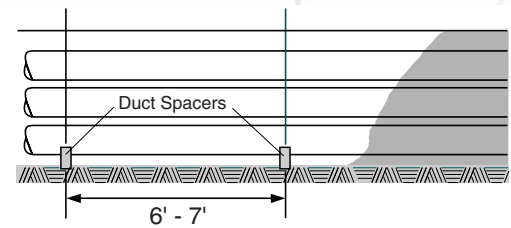
PRODUCT INFORMATION BULLETIN

DUCT SPACERS

IPEX offers a wide range of duct spacers to suit all your underground needs. Our duct spacers offer consistent operation, stability and relieve direct stress for duct materials that have to be encased in concrete.



Recommended Distance: 6' - 7'

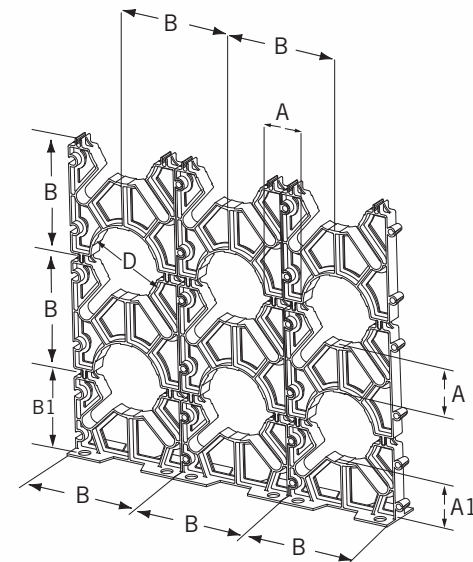


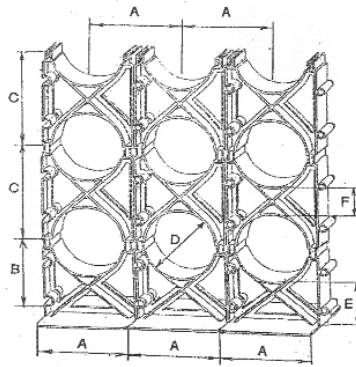
FEATURES:

- Integral holes offering base spacer fastening & stabilization
- Molded rebar slots allowing quick & efficient installation of full length rebar

Interlocking Spacer Assembly Dimensions

Dimension (in.)	A (in.)	A1(in.)	B (in.)	B1 (in.)
2 x 1-1/2	1-1/2	3	3-15/16	4-7/32
2 x 2	2	3	4-7/16	4-7/32
2 x 3	3	3	5-7/16	4-7/32
3 x 2	2	3	5-5/8	4-25/32
4 x 2	2	3-1/16	6-5/8	5-3/8
4 x 3	3	3-1/16	7-5/8	5-3/8
5 x 2	2-3/16	3-3/16	7-13/16	6
5 x 3	3-3/16	3-3/16	8-7/8	6
6 x 3	3	3	9-3/4	6-3/8



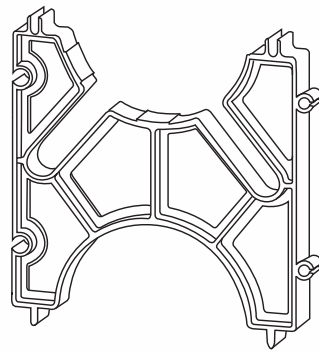


Utility Duct Spacers*

Dimension (in.)	A	B	E	F
3 x 1-1/2	5.130	4.615	3,000	1.50
3 x 3	6.630	4.615	3,000	3.00
4 x 1	5.630	4.060	1,750	1.00
4 x 1-1/2	6.130	5.315	3,000	1.50
5 x 1-1/2	7.325	6.900	3,000	1.50
6 x 1-1/2	8.230	6.375	3,000	1.50

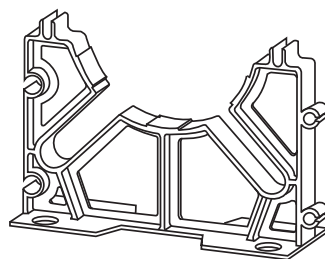
* Do not have rebar slots or base holes

Intermediate Vertical-Lok Spacers



Dimension (in.)	Part Number	Product Code	Standard Package
2 x 1-1/2	IS3530	029550	200
2 x 2	IS3535	029551	200
2 x 3	IS3545	029552	150
* 3 x 1-1/2	IS4530	029553	250
3 x 2	IS4530	029554	100
* 3 x 3	IS4530	029555	160
* 4 x 1	IS5530	029556	250
* 4 x 1-1/2	IS5530	029557	180
4 x 2	IS5530	029558	100
4 x 3	IS5530	029559	60
* 5 x 1-1/2	IS6030	029560	140
5 x 2	IS6035	029561	60
5 x 3	IS6045	029562	60
* 6 x 1-1/2	IS6530	029563	100
6 x 2	IS6535	029564	100
6 x 3	IS6545	029565	40

Base Vertical-Lok Spacers



Dimension (in.)	Part Number	Product Code	Standard Package
2 x 1-1/2	BS3530	029566	150
2 x 2	BS3535	029567	150
2 x 3	BS3545	029568	100
* 3 x 1-1/2	BS4530	029569	250
3 x 2	BS4530	029570	100
* 3 x 3	BS4530	029571	190
* 4 x 1	BS5530	029572	250
* 4 x 1-1/2	BS5530	029573	180
4 x 2	BS5530	029574	80
4 x 3	BS5530	029575	60
* 5 x 1-1/2	BS6030	029576	140
5 x 2	BS6035	029577	60
5 x 3	BS6045	029578	50
* 6 x 1-1/2	BS6530	029579	100
6 x 2	BS6535	029580	100
6 x 3	BS6545	029581	40

* Do not have rebar slots or base holes