

PRMPN-2

PLASTIC COMBO RUNNING MAN STANDALONE

LED 120/347VAC Input



Approvals:

CSA Certified to C22.2 #141.15, C860

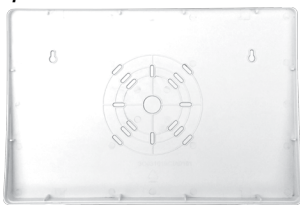
DESCRIPTION

The PRMPN-2 commercial plastic combination running man sign is designed using durable and lightweight high impact thermoplastic. Combination sign with a canopy quick snap for a decorative look or a flush mount for rigid installation.

CIRCUITRY

- LED ultra bright light source
- 120/347VAC Input, field selectable
- Dry or damp location
- Ambient temperature 10°C to 35°C
- 4.1W at 120V and 3.3W at 347V
- 90 minutes emergency power duration standard
- Two 1W LED heads
- Push button test switch
- Diagnostic/pilot LED for AC ON
- Fully automatic, current limited charger
- Solid state design and construction with brownout and short circuit protection
- Temperature compensated
- Maintenance free, Ni-Cad battery

**Flush wall mount backplate. Use for direct wall mount (no canopy required)
Spider knock-out for wall-mount**



Universal canopy



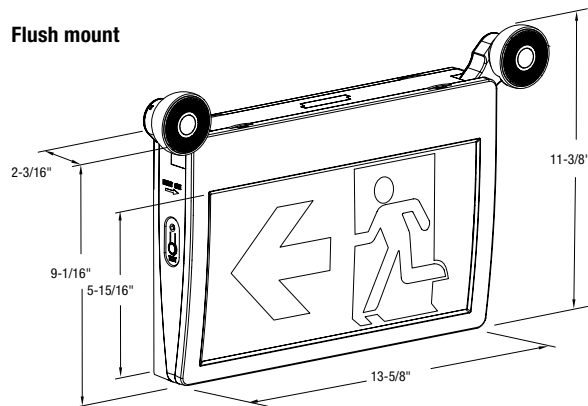
Tapered Mount

MECHANICAL

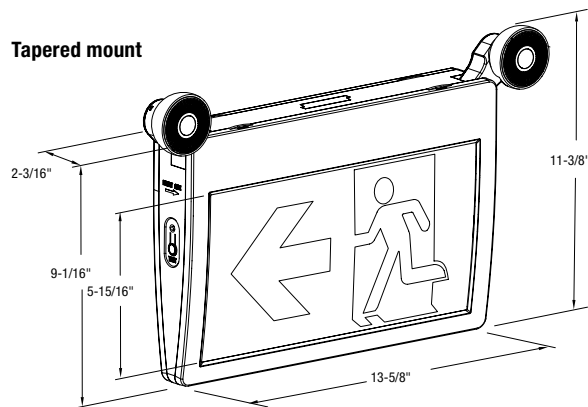
- High impact, UV stabilized, thermoplastic construction
- Quick snap faceplates and universal canopy for rapid and simple installation
- Universal faces
- Universal mounting
- White colour is standard
- Fully adjustable, high impact thermoplastic round LED heads are standard

DIMENSIONS

Flush mount



Tapered mount



ORDERING GUIDE

PRMPN-2
Series
PRMPN-2



Comes standard with three pictogram legends for direction selection.