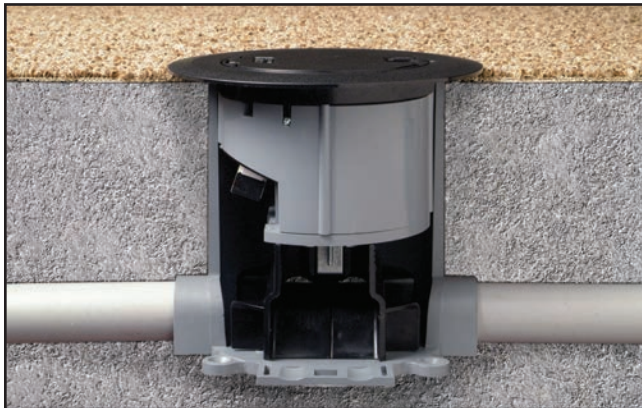


Recessed Service Floor Boxes

68R Recessed Covers



Concrete applications



Wood sub-floor/raised floor applications

Use an appropriate Iberville®
3 in. x 2 in. Metal Switch Box with mounting ears



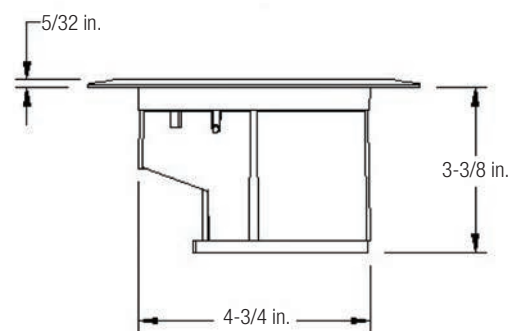
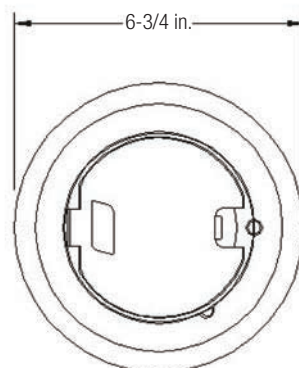
Lid closes flush with the floor, even with cords plugged in

Plug in power and communication cords and then close the lid to hide unsightly plugs and receptacles below the floor!

- Unique cover provides aesthetic recessed service with cost-effective box options for **concrete, wood sub-floor and raised-floor applications**
- Lid can be rotated to expose a small opening for cords, enabling the lid to close flush with the floor while in use
- Cover accepts one duplex or GFCI receptacle – no special device plates required (receptacle purchased separately)
- Cover accepts up to two communications jacks – includes one 2-port keystone data plate and one blank data plate for custom cut-outs or power-only applications (communications jacks purchased separately)
- Nonmetallic covers are available in black, grey, beige and brown
Black covers are available with an optional brass or aluminum flange
- Two set screws lock the cover in place – no gluing required

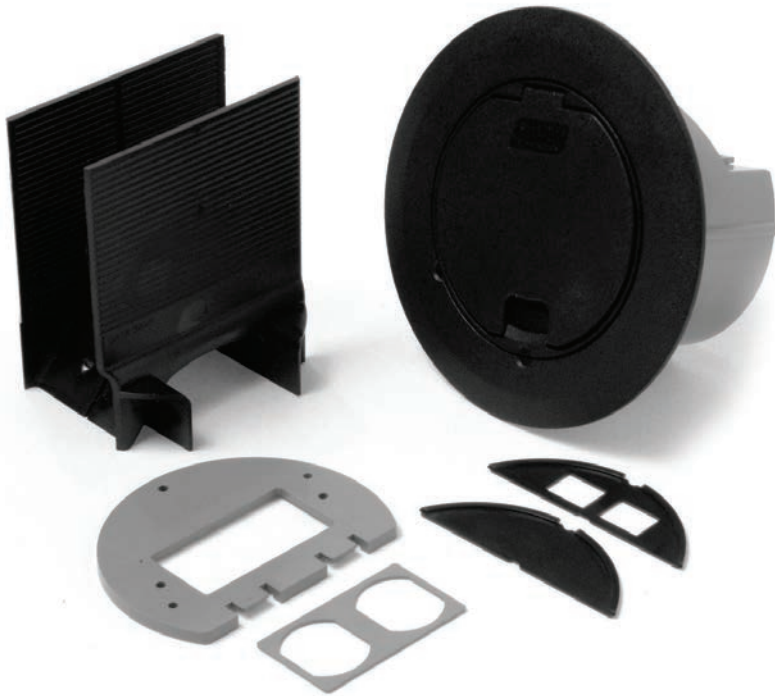


Use a Steel City®
Round PVC Floor Box,
catalogue number 68-P
(purchased separately)



Recessed Service Floor Boxes

68R Recessed Covers (cont'd)



Cover kit includes:

- Cover assembly
- Receptacle mounting plate
- Duplex receptacle insert
- 2-port keystone data plate
- Blank data plate
- Voltage divider

Technical Specifications



Important Application Note:

When using the 68R Recessed Cover with the 68-P floor box for concrete applications, the entire box depth (6 in.) is required. Prior to concrete pour, level the top of the box with the screed line of the concrete.



Cat. No.	Finish	Std. Ctn.
68R-CST-BLK	Black	4
68R-CST-GRY	Grey	
68R-CST-BGE	Beige	
68R-CST-BRN	Brown	
68R-CST-BRS	Black with Brass Flange	
68R-CST-ALM	Black with Aluminum Flange	



Power and Communications