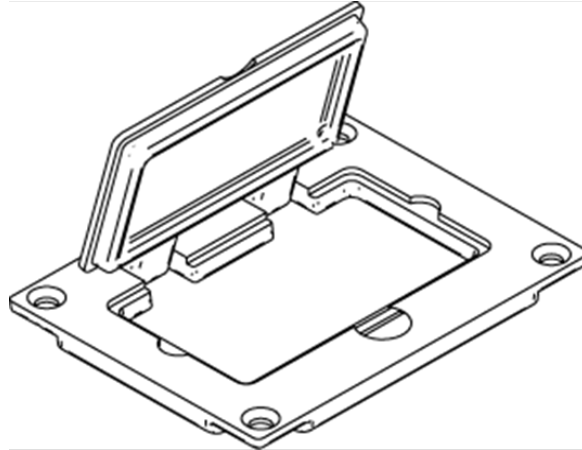


GFI Cover Plate

828GFITC



Brass GFI cover plate, 3.156" x 4.182"
[80.2mm x 106.2mm]. May be used with
Wiremold CM Series adapters and
Ortronics Connectivity Systems in
conjunction with 817B, 827B, and 837B
Flanges.

features & benefits

specifications

General Info

Product Series: Omnibox
Component Type: Covers & Flanges