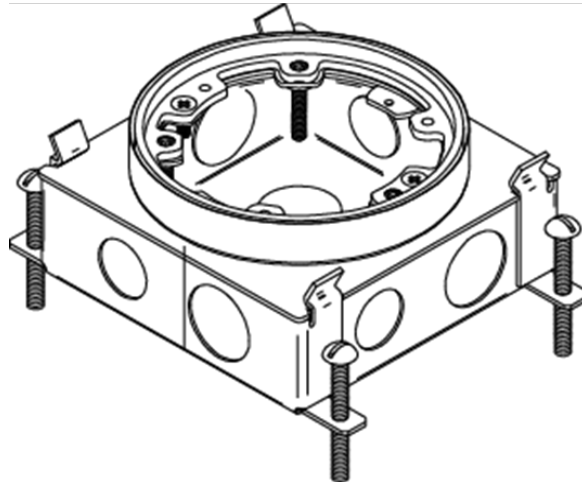


885B Stamped Steel Floor Box

885B



features & benefits

The 880 Series Floor Box provides an excellent solution for the low density power or communication requirements in open space areas. The 880 Series brings the power or communication service directly to the workstation. The 880 Series comes in a cast iron version for on grade applications and an economical stamped steel version for above grade applications. The 880 Series is supported by one of the most complete lines of brass, brushed aluminum, and nonmetallic activations in the industry. Some applications for the 880 Series Floor Box are retail facilities, commercial offices, hotels, and financial institutions.

specifications

General Info

Product Series: 880
Component Type: Boxes
Knockout Size: 1/2"-3/4"

Construction Information

Installation Location: Above-Grade