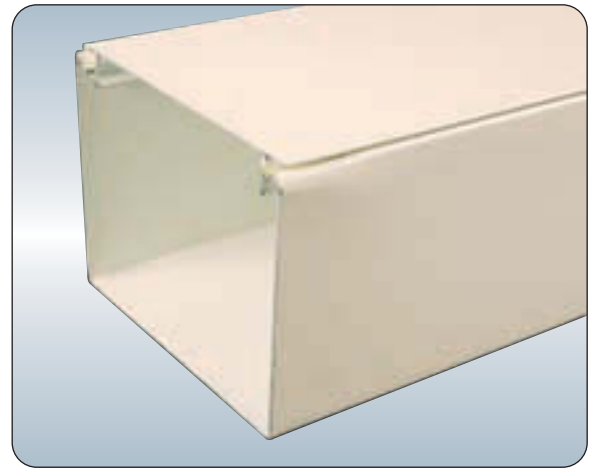


6000® SERIES RACEWAY

Single- & dual-channel raceway. 6000 Series Raceway is ideal for all applications requiring high cable capacity.

- 6000® Series Raceways UL Code Reference..... 67
- 6000® Series Raceways Color Options 67
- 6000® Series Raceways System Layout 67
- 6000® Series Raceway Wire Fill Capacity Charts 68
- 6000® Series Raceway Ordering Information 68
- 6000® Series Interconnectivity Fittings Chart 70
- 6000® Series Installation Details 70



6000 Series Raceway Base and Cover.

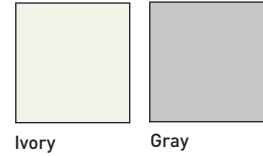
6000 Series Raceway now compatible with A/V devices.

CODE REFERENCE
cULus Listed Raceway:
 File E4376 Guide RJBT.
Fittings:
 File E41751 Guide RJPR.
Base & Blank Cover:
 Meets Article 386 of NEC.
 Meets Section 12-600 of CEC.

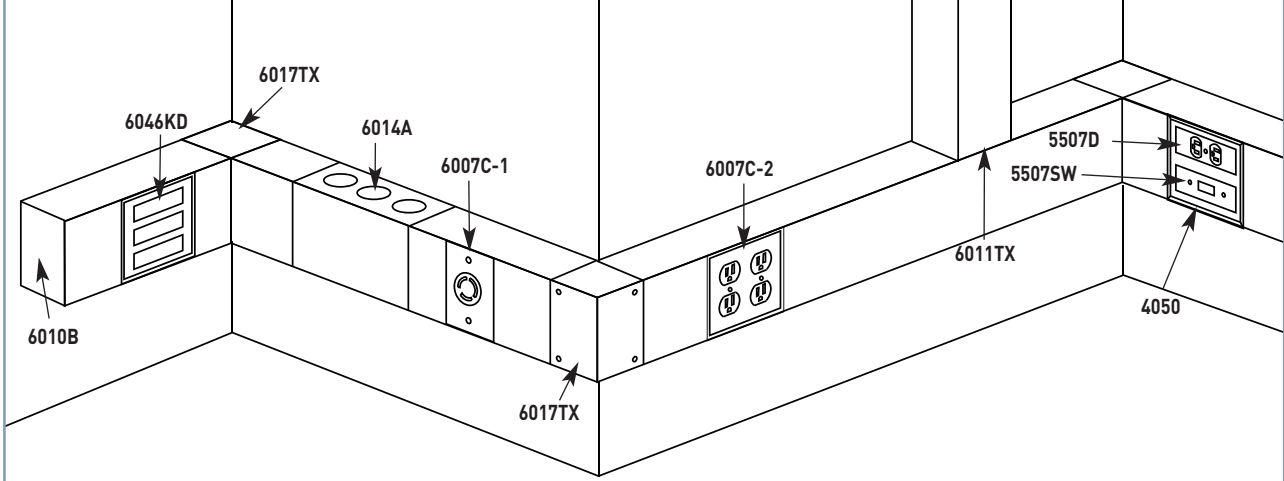
6000 SERIES RACEWAY COLOR OPTIONS

6000® Series Raceway Part Numbers with a "V" prefix have an ivory finish. Part Numbers with a "G" prefix have a gray finish.

Custom color options are also available. Consult the factory for more information.





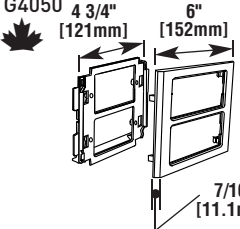
6000 SERIES RACEWAY SYSTEM LAYOUT

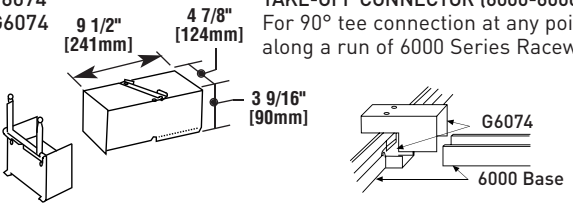
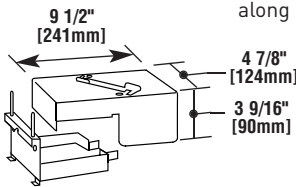
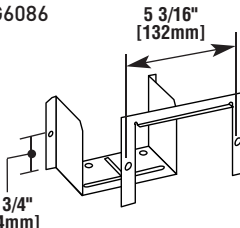



NOTE: Illustration is for showing product applications only.

| KEY | | | |
|---------|--|--------|-------------------------------------|
| 4050 | Device Mounting Plate – Inserts included | 6011TX | Combination Flat Elbow |
| 5507D | Duplex Receptacle Faceplate | 6014A | Connector Fitting |
| 5507SW | Switch Faceplate | 6017TX | Combination Internal-External Elbow |
| 6007C-1 | Single-Gang Device Plate | 6017TX | Inverted to External Elbow |
| 6007C-2 | Two-Gang Device Plate | 6046KD | Circuit Breaker Housing |
| 6010B | Blank End Fitting | | |

6000 SERIES RACEWAY ORDERING INFORMATION (continued)

| PART NO. | DESCRIPTION |
|----------------|---|
| IWE-S GWE-S |  SPRAY PAINT – Used for touching up large areas. Contains 12 oz. of paint. NOTE: Can only be shipped via ground transportation. |
| IWE-P GWE-P |  TOUCH-UP PAINT PEN – Used for touching up small areas. Contains 0.3 oz. of paint. |
| V4050 G4050 |  DEVICE MOUNTING BRACKET – High impact plastic mounting bracket and trim plate. Trim plate overlaps raceway cover providing a seamless transition between cover fittings. Utilizes 5507 Faceplates, as well as Wiremold Open System communication modules, Ortronics® TracJack and Series II inserts, and Pass & Seymour® Activate inserts, and Pass & Seymour® Activate Series inserts. For faceplate options, see 5507 Series Faceplates. NOTE: When ordering to use with 6000 Series Raceway in Canada specify CV6050 (ivory) or CG6050 (gray) as the grounding bracket provided is larger than the one provided when using with 4000 Series Raceway. CM-EPLA End Plates are required when using Wiremold CM2 communication modules and Pass & Seymour® Activate inserts. S2-EPL End Plates are required when using Ortronics® Series II inserts. To mount TracJack modules, use 55074TJ or 55076TJ Faceplates. |

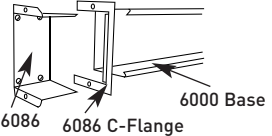
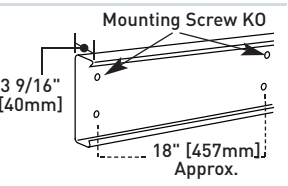
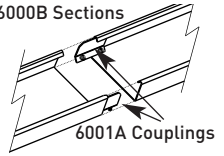
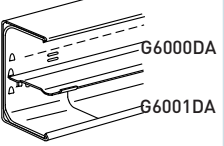
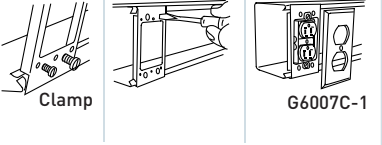
| PART NO. | DESCRIPTION |
|------------------|---|
| V6074 G6074 |  TAKE-OFF CONNECTOR (6000-6000) – For 90° tee connection at any point along a run of 6000 Series Raceway. |
| V6074A G6074A |  TAKE-OFF CONNECTOR (6000-4000) – For 90° tee connection at any point along a run of 6000 Series Raceway. |
| V6086 G6086 |  PANEL CONNECTOR FITTING – For connecting 6000 Series Raceway with surface type panel boxes. Accommodates maximum wire capacity of 6000 system. Separate C-flange fits around raceway, covering any irregularities made when cutting into box. Cut 4 3/4" x 3 9/16" [121mm x 90mm] hole in panel box. |

 Parts identified with this symbol are Certified to Canadian Safety Standards for sale in Canada. When ordering these products, change the "V" color prefix to "CV" or the "G" color prefix to "CG" to denote the Canadian versions.

6000 SERIES INTERCONNECTIVITY FITTINGS

| FROM | CONNECTION REQUIRED | TO | USE CATALOG NUMBER |
|--|---------------------|--------------------------|--------------------|
| 6000 Series Raceway | | 4000 (Tee Connection) | G6074A |
| 6000 Series Raceway | | 6000 (Tee Connection) | G6074 |
| 1/2", 3/4", 1" or 1 1/4" trade size Conduit or Armored Cable | | Cover of 6000 | G4046H-2 |
| 1 1/4", 1 1/2", or 2" trade size Conduit or Armored Cable | | Back and/or Side of 6000 | G6014A |

6000 SERIES RACEWAY INSTALLATION DETAILS

- Determine method of feeding raceway: 6014A for backfeed, 6086 (shown) for panel feed.
 
- To mount 6000 Base to surface: Remove mounting screw KOs (approx. 18" [457mm] O.C. along base) as required. Mount base with No. 8 flathead fasteners.
 
- To join lengths of 6000B, insert the pair of 6001A Couplings into one side of each base. Slide bases together and tighten locking screws.
 
- For divided installations: Install G6001DA Divider Clips at 30" [762mm] intervals. Snap G6000DA Divider into place.
 
- To install G6007C-1 or G6007C-2 Device Plates: Snap into base and tighten clamps as shown. Wire device and assemble to bracket. Install flush plate (not furnished).
 
- Cut 6000C Cover to fit between device brackets. Snap in place as shown. Continue along entire run.
 